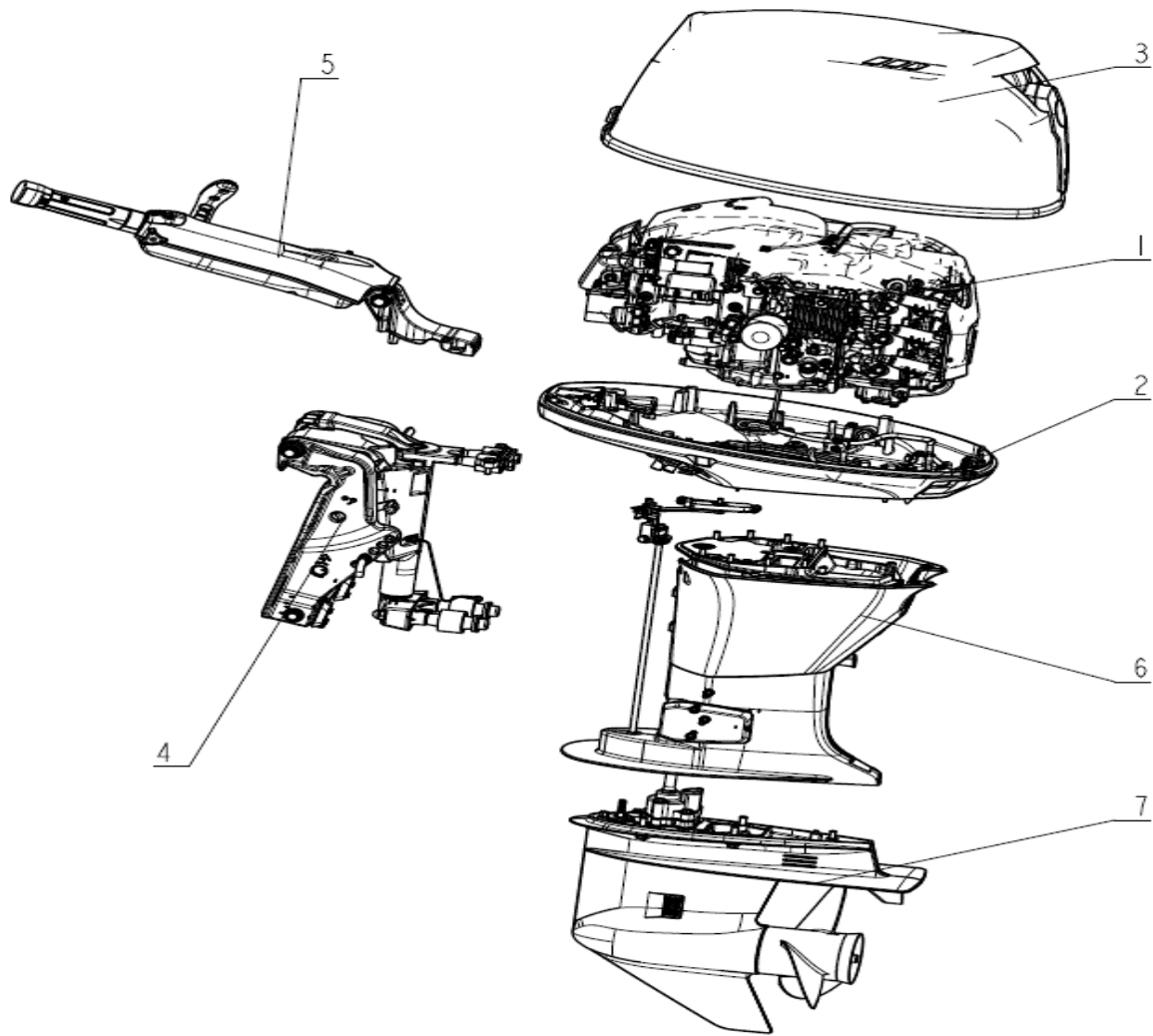


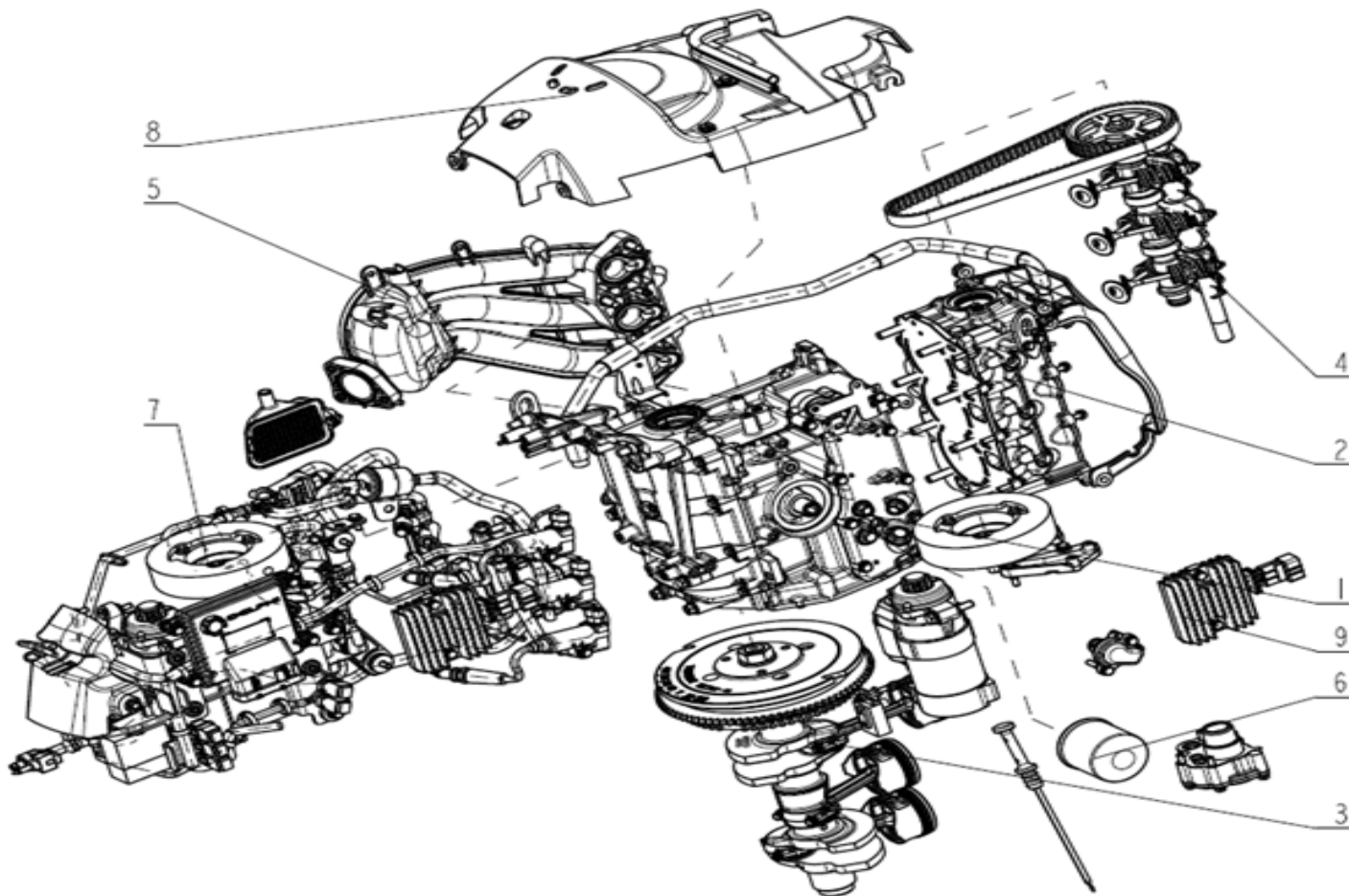


Мотор лодочный Marine Rocket MREF30FE-T (747 см³)



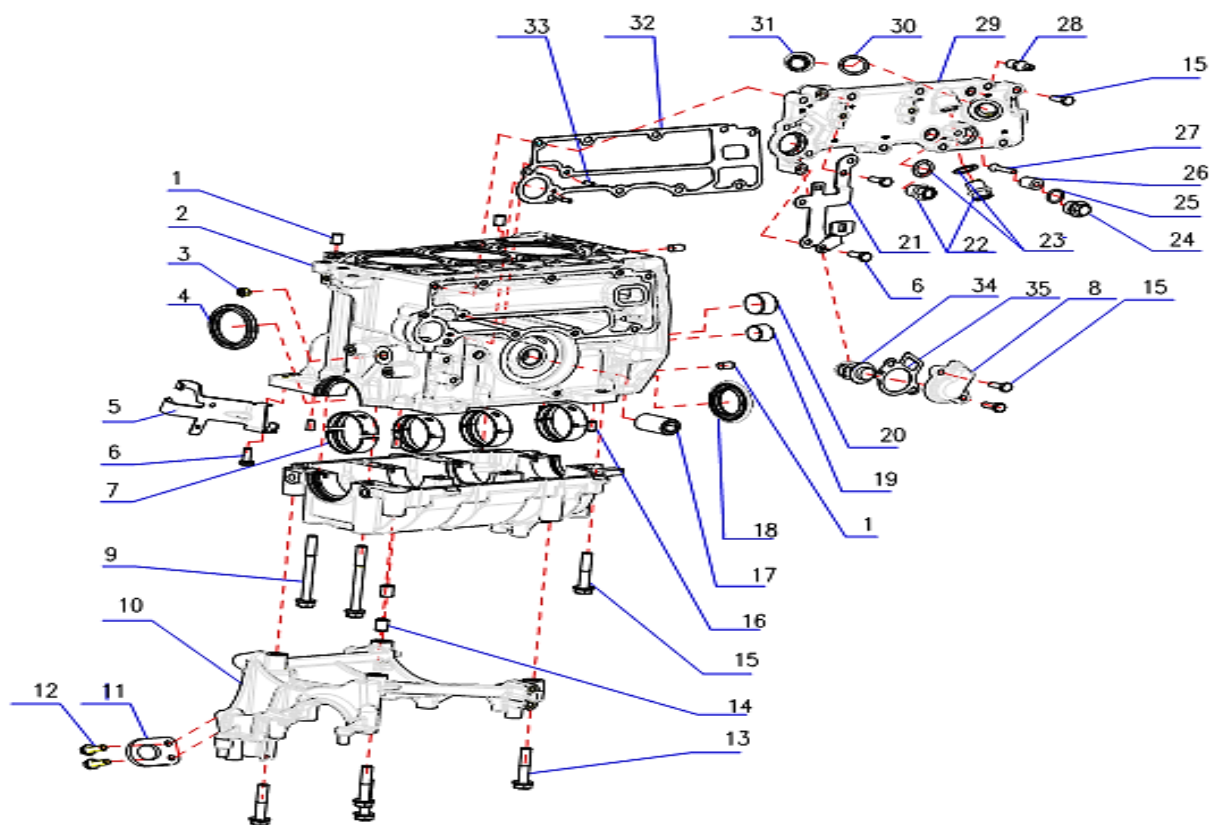
1. Узлы и блоки 1

NO.	КОД MR	КОД №2	КОД OEM	НАИМЕНОВАНИЕ	ШТ	УПАКОВКА
1	MR030722	MR08030022	F40-01.00.00.00	F40 engine	1	
2			F40-02.00.00.00	Base assembly	1	
3			F40-07.00.00.00	F40 top cover assembly	1	
4			F40-03.00.00.00	Clamping system	1	
5	MR030821	MR08100018	F60-04.00.03.00	Steering assembly	1	
6			F60-05.00.00.00	Water system	1	
7			F40-06.00.00.00	Underwater drive assembly	1	



2. Узлы и блоки 2

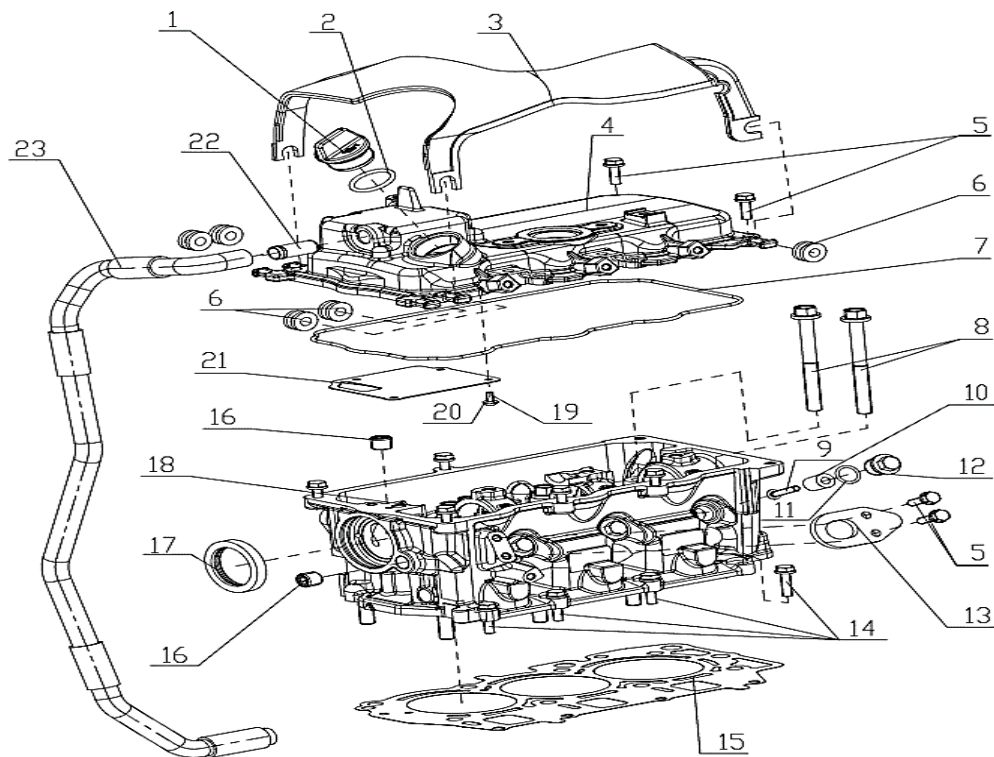
NO.	КОД MR	КОД №2	КОД OEM	НАИМЕНОВАНИЕ	ШТ	УПАКОВКА
1			F40-01.01.00.00	Cabinet system assembly	1	
2			F40-01.02.00.00	Cylinder head assembly	1	
3			F40-01.03.00.00	Crank connecting rod assembly	1	
4			F40-01.04.00.00	Valve train assembly	1	
5			F40-01.05.00.00	Intake system assembly	1	
6			F40-01.06.00.00	Lubrication system	1	
7			F40-01.07.00.00	Fuel electronic control system	1	
8			F40-01.08.00.00	Starter cover assembly	1	
9			F40-01.09.00.00	Electrical system	1	



3. Блок цилиндров

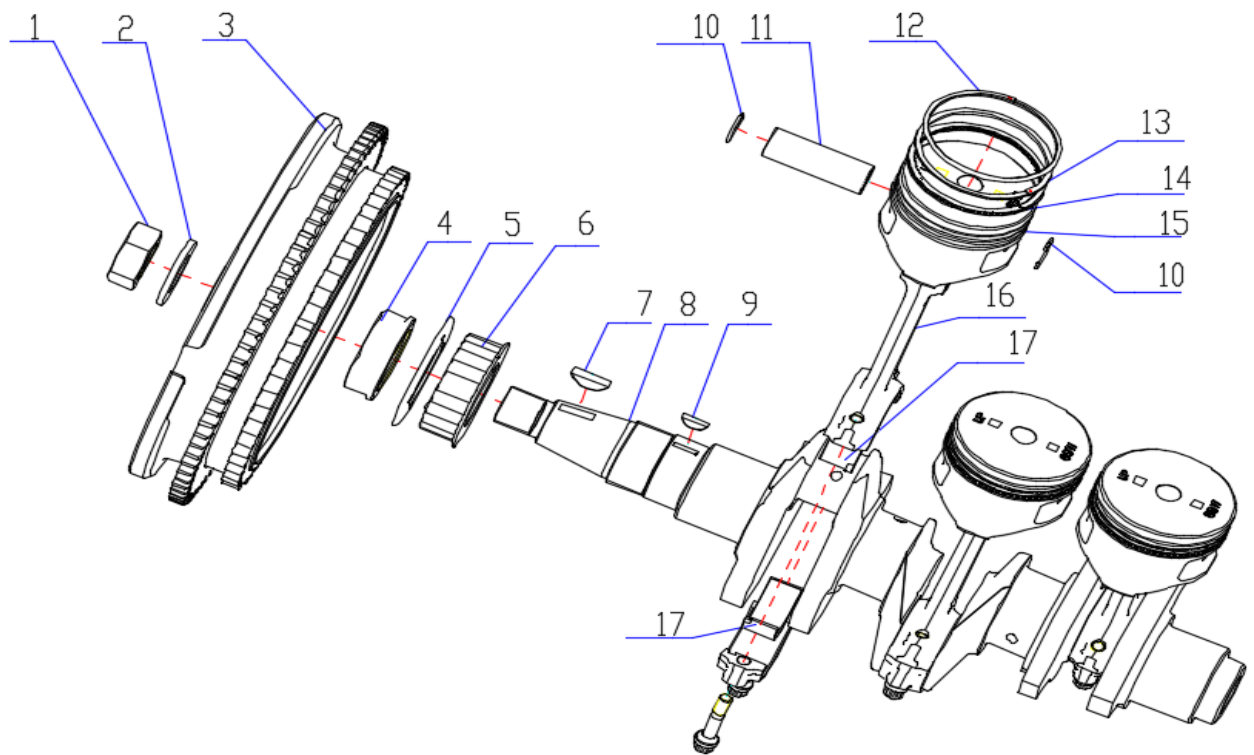
NO.	КОД MR	КОД №2	КОД OEM	НАИМЕНОВАНИЕ	ШТ	УПАКОВКА
1	MR01021110BAG		40F-01.06.00.25	Dowel pin 8*12	4	5
2	MR2012601013A		F40-01.01.01.10	Cylinder block	1	1
3	MR0104201		F15-01.01.00.07	Plug	1	1
4	MR01051810		F25-01.04.00.23	Oil seal(upper),crankshaft	1	1
5	MR2082601015A		F40-01.01.00.05	Bracket 1	1	1
6	MR0104404BAG		GB9074_1.M6X16.8_8	Bolt	3	10
7	MR2052701005A		F60-01.01.00.05	Main bearing (green)	8	1
	MR2052701005B		F60-01.01.00.05	Main bearing (black)	8	1
	MR2052701005C		F60-01.01.00.05	Main bearing (red)	8	1
	MR2052701005D		F60-01.01.00.05	Main bearing (yellow)	8	1
8	MR010501040		F15-01.06.14	Thermostat 60°	1	1
9	MR2022701014A		F60-01.01.05.00	Main bearing cover bolt assembly	8	1
10	MR2012601003A		F40-01.01.00.03	Starting motor bracket	1	1
11	MR2082701003A		F60-01.01.00.17	Cylinder lifting eye	1	1
12	MR0104406BAG		GB9074.1 M6*20(A2-70)	Flat gasket&Bolt	2	10
13	MR0104409BAG		GB9074.1 M6*35(A2-70)	Hexagonal bolt & flat gasket assy M6*35	4	10
14	MR2022701008A		F60-01.01.00.23	Positioning pin sleeve	2	1
15	MR0104409BAG		GB9074.1 M6*35(A2-70)	Hexagonal bolt & flat gasket assy M6*35	18	10
16	MR01020110BAG		15F-01.06.20	Locating Pin 2*6	4	10
17	MR01020210		F15-01.05.00.01	dabber,fuel filter	1	1
18	MR01051811		F25-01.04.00.24	Oil seal(bottom),crankshaft	1	1
19	MR0104291		F25-01.04.00.38	Plug	1	1
20	MR0104409BAG		F25-01.04.00.39	Hexagonal bolt & flat gasket assy M6*35	1	10
21	MR2082601016A		F40-01.01.00.06	Bracket 2	1	1
22	MR2022701035A		F60-01.01.00.13	bolt	2	1
23	MR010818005BAG		F25-01.04.00.01	Washer 14	2	2
24	MR2022701028A		F60-01.02.20.01	Hexagon flange plug	1	1
25	MR2062701020ABAG		F60-01.02.20.02	O-ring	1	5
26	MR01010510BAG		F9.9-01.03.00.34	Anode	1	2
27	MR0104081BAG		GB818 M5X25	Cross recessed Pan head screws M5*25	1	10

28	MR2022701007A		F60-01.01.00.08	Return pipe joint	1	1
29	MR2012601002A		F40-01.01.00.01	Exhaust side cover	1	1
30	MR010818006		F25-01.04.00.03	Washer	1	1
31	MR2022701034A		F60-01.01.00.11	bolt	1	1
32	MR2052601008A		F40-01.01.00.02	Exhaust side cover gasket	1	1
33	MR01020521BAG		F9.9-05.00.00.26	Locating Pin 4*10	2	10
34	MR2012701019A		F60-01.06.01.04	Thermostat cover	1	1
35	MR2052701014ABAG		F60-01.06.01.05	Thermostat gasket	1	2



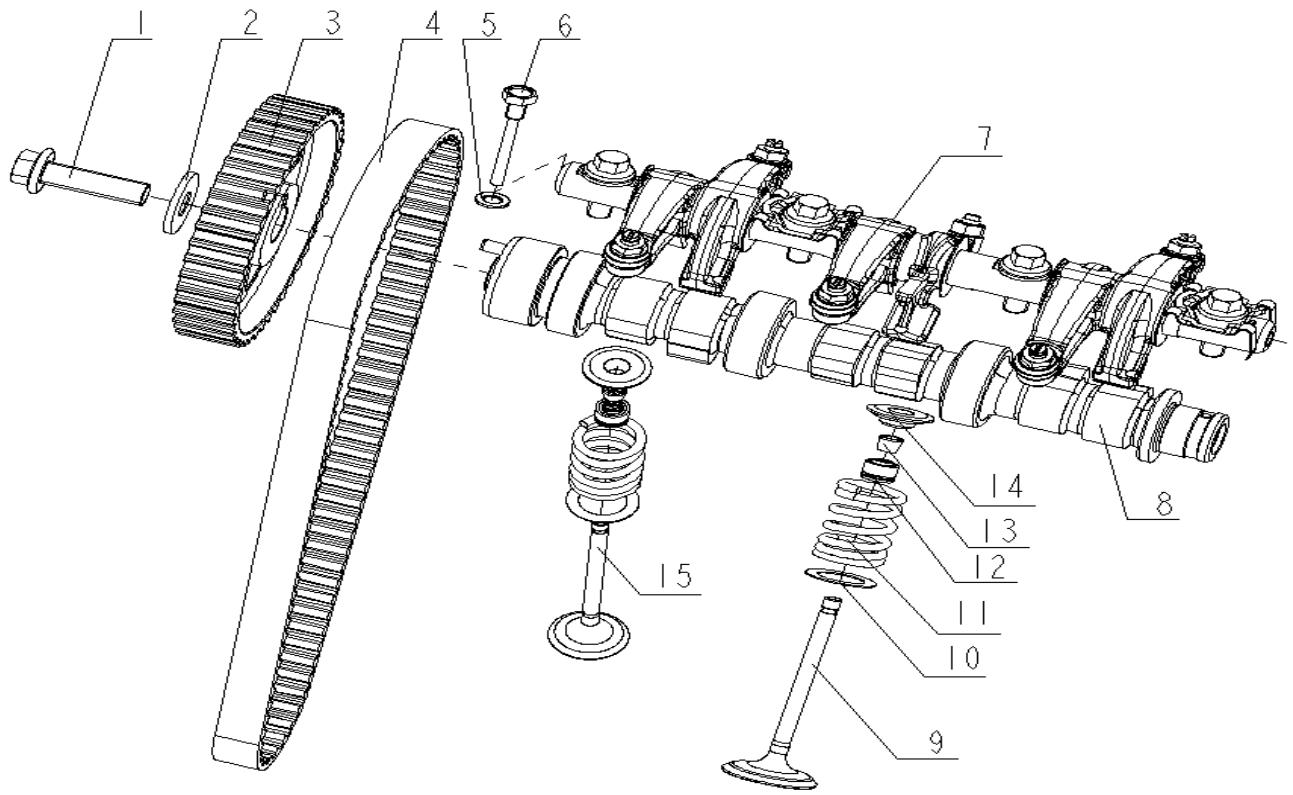
4. Головка цилиндров

NO.	КОД МР	КОД №2	КОД ОЕМ	НАИМЕНОВАНИЕ	ШТ	УПАКОВКА
1	MR01070208BAG		F15-01.03.00.39	Oil filling plug	1	2
2	MR2062701021ABAG		F60-01.02.30.03	O-ring	1	2
3	MR2072601002A		F40-01.02.00.09	Small cover	1	1
4	MR2012601006A		F40-01.02.30.01	Cylinder head cover	1	1
5	MR0104406BAG		GB9074.1 M6*20(A2-70)	Flat gasket&Bolt	9	10
6	MR2062701023ABAG		F60-01.02.00.07	Damping ring	5	2
7	MR2062601001A		F40-01.02.00.06	Cylinder head cover gasket	1	1
8	MR2022701027A		F60-01.02.00.01	Cylinder head bolt	8	1
9	MR0104081BAG		GB818.M5X25	Cross recessed Pan head screws M5*25	3	10
10	MR01010510BAG		F9.9-01.03.00.34	Anode	3	2
11	MR2062701020ABAG		F60-01.02.20.02	O-ring	3	5
12	MR01020516		F9.9-01.03.00.35	bolt	3	1
13	MR2082601003A		F40-01.02.00.05	Front hook	1	1
14	MR0104407BAG		GB9074.1 M6*25(A2-70)	Hexagonal bolt & flat gasket assy M6*25	4	10
15	MR2052601003A		F40-01.02.00.04	Cylinder head gasket	1	1
16	MR0104202		F15-01.01.00.08	Plug	4	1
17	MR01051822		F25-01.05.00.10	Oil seal(upper),Camshaft	1	1
18	MR2012601012A		F40-01.02.10.00	Cylinder head assembly	1	1
19	MR0104100BAG		GB823 M4X10	Screws M4 * 10	4	10
20	MR0104169BAG		GB97_1.M4	Flat gasket	4	10
21	MR2082601004A		F40-01.02.30.04	Cover	1	1
22	MR010218008		F25-01.05.01.04	Gas nipple	1	1
23	MR2062601046A		F40-01.02.40.00	Crankcase vent pipe assembly EPA	1	1



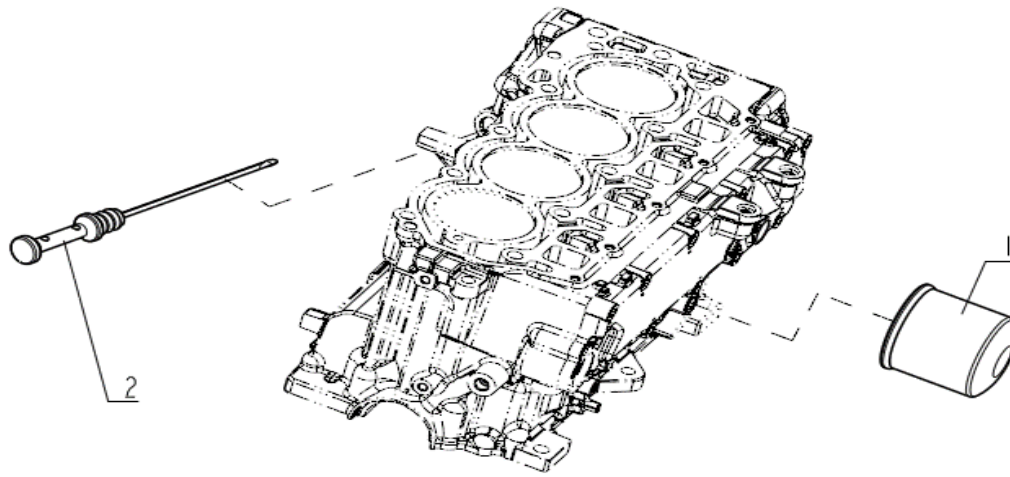
5. Коленвал

NO.	КОД MR	КОД №2	КОД OEM	НАИМЕНОВАНИЕ	ШТ	УПАКОВКА
1	MR01021106		40F-01.03.02	Flywheel nut	1	1
2	MR010417209BAG		GB97_1 M20	Flat gasket	1	10
3	MR2032601008A		F40-01.09.01.00	flywheel	1	1
4	MR010218006		F25-01.04.00.12	nut,drive pully	1	1
5	MR010818007		F25-01.04.00.13	Stop collar,drive pully	1	1
6	MR01051808		F25-01.04.00.14	Drive pulley	1	1
7	MR011011071		40F-01.03.03	Woodruff key	1	1
8	MR2052601002A		F40-01.03.00.01	Crankshaft	1	1
9	MR01100204BAG		GB.T1099	Woodruff keyoil seal	1	2
10	MR01051814BAG		F25-01.04.00.27	Circlip	6	10
11	MR01051813		F25-01.04.00.26	Pin,piston	3	1
12	MR2052701004A			The first piston ring	3	
13	MR2052701002A		F60-01.03.00.11	Second piston ring	3	
14	MR2052701003A		F60-01.03.01.00	Combination oil ring	3	
15	MR2052701029A		F60-01.03.00.08	piston	3	1
16	MR2052601012A		F40-01.03.02.00	Connecting rod assembly	3	1
17	MR2052701037A			Connecting rod shoe (green)	6	1
	MR2052701037B			Connecting rod shoe (black)	6	1
	MR2052701037C			Connecting rod tile (red)	6	1
	MR2052701037D			Connecting rod shoe (yellow)	6	1



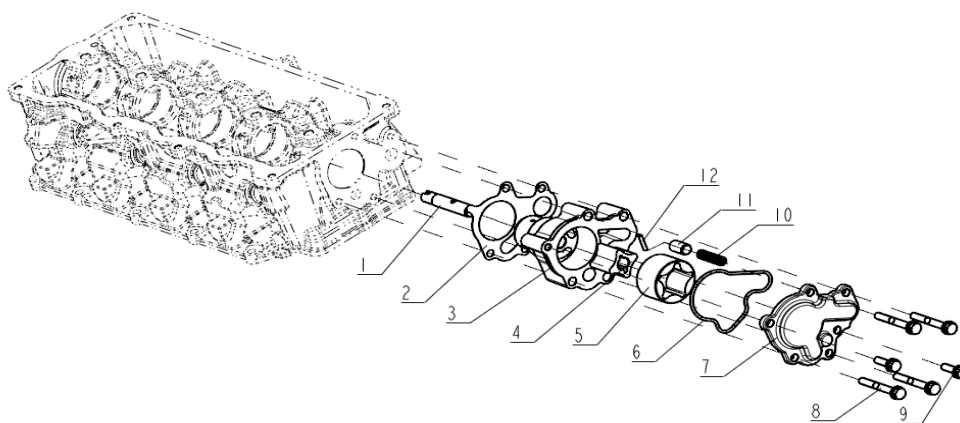
6. ГРМ

NO.	КОД MR	КОД №2	КОД OEM	НАИМЕНОВАНИЕ	ШТ	УПАКОВКА
1	MR0104290		GB5787 M10*1.25*35(8.8)(S12)	Flange bolt	1	1
2	MR0104166BAG		GB96.M10	Gasket	1	10
3	MR01051818		F25-01.05.00.01	Driven pulley	1	1
4	MR011018005		F25-01.04.00.11	belt	1	1
5	MR010818015		F25-01.05.00.09	Gasket	1	1
6	MR010218009		F25-01.05.00.08	Bolt	1	1
7	MR2052601073A		F40-01.04.10.00	Rocker arm assembly	1	1
8	MR2052601089A		F40-01.04.01.00	Camshaft assembly	1	1
9	MR2052701006A		F60-01.04.00.11	Intake valve	3	1
10	MR2082701007ABAG		F60-01.04.00.14	Valve spring lower seat	6	2
11	MR010918004		F25-01.05.00.14	Valve spring	6	1
12	MR01050229BAG		F15-01.03.00.15	Valve oil seal	6	5
13	MR2082701013ABAG		F60-01.04.00.16	Valve lock clip	12	2
14	MR2082701012A		F60-01.04.00.17	Valve spring upper seat	6	1
15	MR2052701036A		F60-01.04.00.12	Exhaust valve	3	1



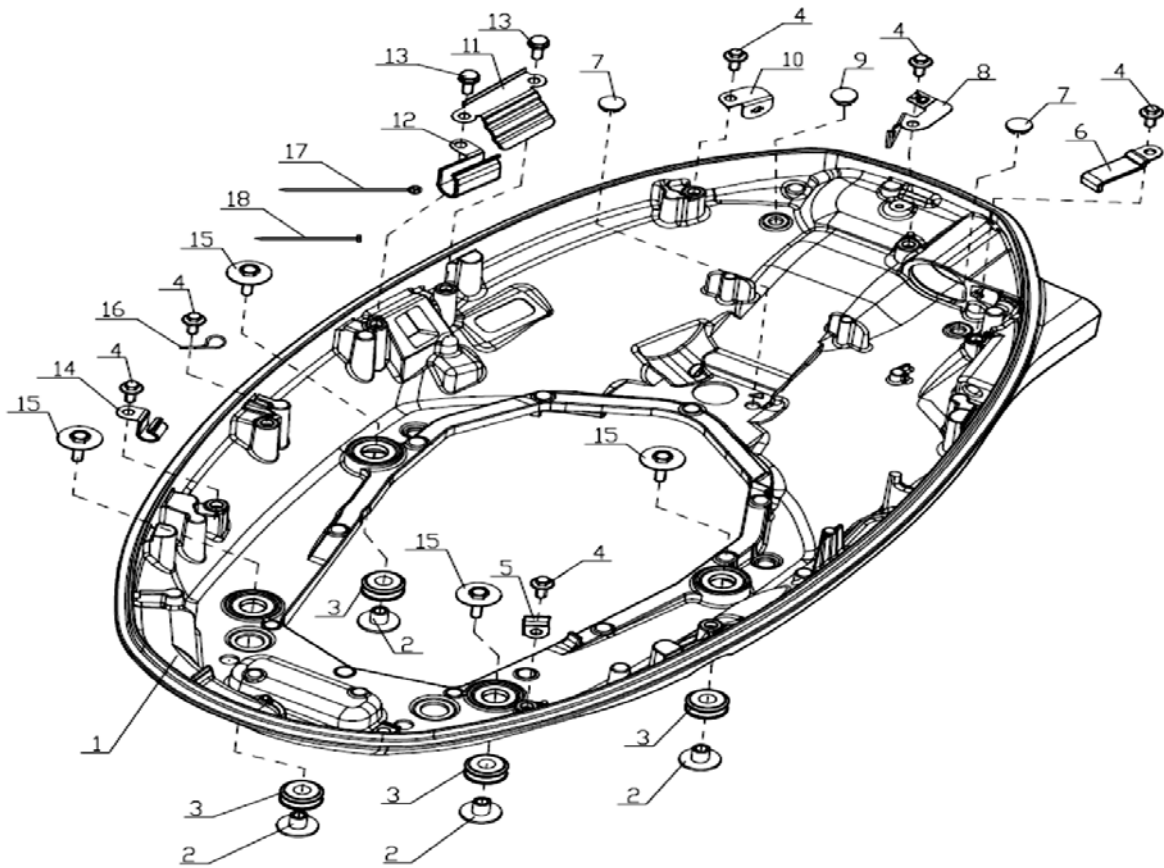
7. Масляный фильтр

NO.	КОД MR	КОД №2	КОД OEM	НАИМЕНОВАНИЕ	ШТ	УПАКОВКА
1	MR01020218		F15-01.05.01.00	Oil filter assembly	1	1
2	MR2102701063A		F60-01.06.01.01	Oil scale assembly	1	1



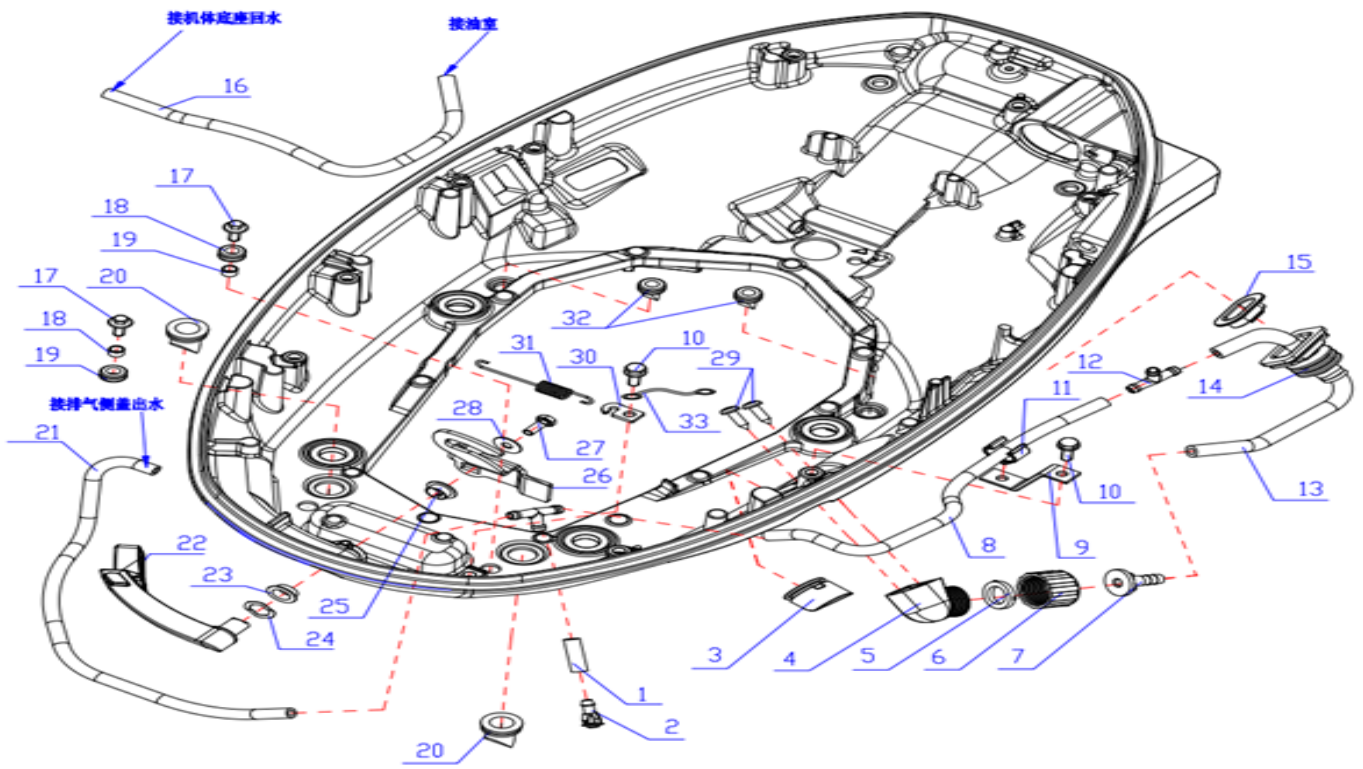
8. Масляный насос

NO.	КОД MR	КОД №2	КОД OEM	НАИМЕНОВАНИЕ	ШТ	УПАКОВКА
1	MR2052701028A		F60-01.06.02.06	Rotor shaft	1	1
2	MR2052701011A		F60-01.06.01.02	Oil pump gasket	1	1
3	MR2012701028A		F60-01.06.02.09	Oil pump body	1	1
4	MR2052701027A		F60-01.06.02.05	Inner rotor	1	1
5	MR2052701030A		F60-01.06.02.08	Outer rotor	1	1
6	MR2062701060ABAG		F60-01.06.02.02	rubber sealed loop	1	2
7	MR2012701026A		F60-01.06.02.01	Oil pump cover	1	1
8	MR01044100BAG		GB9074.1 M6*45(A2-70)	hexagon headed bolt and flat plate Assy.M6*45	4	10
9	MR0104406BAG		GB9074_1.M6X20.8_8	Flat gasket&Bolt	2	10
10	MR010918005BAG		F25-01.06.01.03	Pressure spring,flood valve	1	2
11	MR010218010BAG		F25-01.06.01.04	Valve element,flood valve	1	2
12	MR010518011BAG		F25-01.06.01.07	needle	1	2



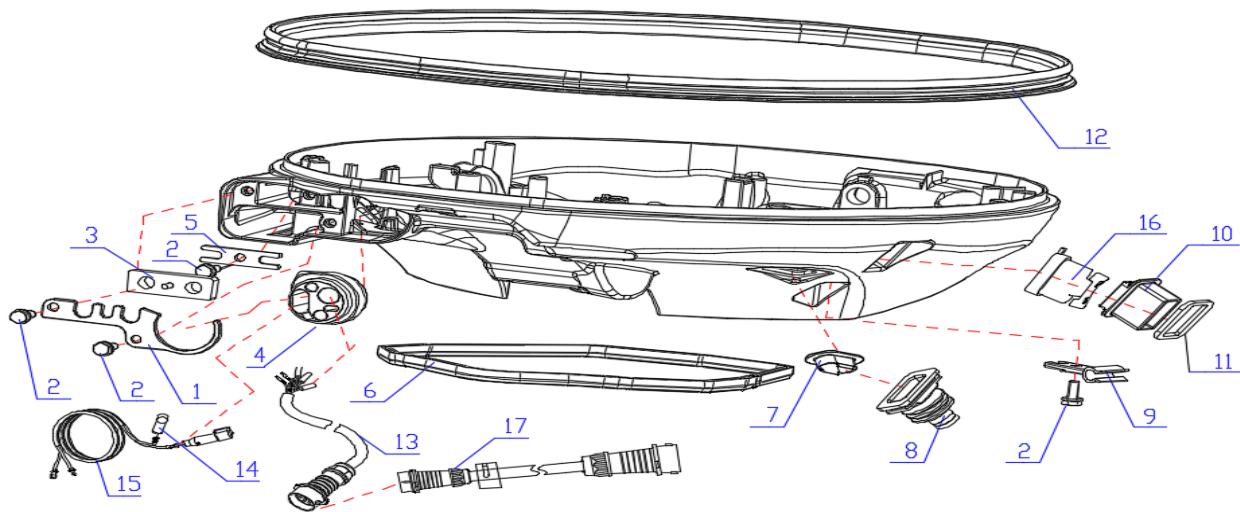
9. Поддон двигателя

NO.	КОД MR	КОД №2	КОД OEM	НАИМЕНОВАНИЕ	ШТ	УПАКОВКА
1	MR2012702001A		F60-02.00.01.01	Base	1	1
2	MR01021912		60F-02.00.00.04	Cushion pipe(Bottom cowling)	4	1
3	MR01061923BAG		60F-02.00.00.05	Damper(Bottem Cowling)	4	2
4	MR0104055BAG		GB5789.M6X16.10_9	Hex Flange Bolt M6*16	5	2
5	MR2082702011ABAG		F60-02.00.01.11	Water pipe bracket 1	1	2
6	MR2082702010A		F60-02.00.01.10	Harness bracket 4	1	1
7	MR2062702010ABAG		F60-02.00.01.19	Clogged	2	2
8	MR2082702012A		F60-02.00.01.12	Harness bracket 5	1	1
9	MR2062701077ABAG		F60-02.00.02.06	Clog 1	1	2
10	MR2082702006A		F60-02.00.01.08	Snap bracket 1	1	1
11	MR2082702005A		F60-02.00.01.05	Harness bracket 3	1	1
12	MR2082702003A		F60-02.00.01.03	Harness bracket 1	1	1
13	MR0104406BAG		GB9074_1.M6X20.8_8	Flat gasket&Bolt	2	10
14	MR2082702004ABAG		F60-02.00.01.04	Harness bracket 2	1	2
15	MR2022702001A		F60-05.00.03.02	Hex head bolt and flat washer assembly	4	1
16	MR402740BAG		CC-4	Plastic wire clip (black)	1	10
17	MR2072701071A		F60-01.07.14.03	Arrow Tie	6	1
18	MR3005053BAG	MR02010116BAG	4*150	Cable tie (black)	8	10



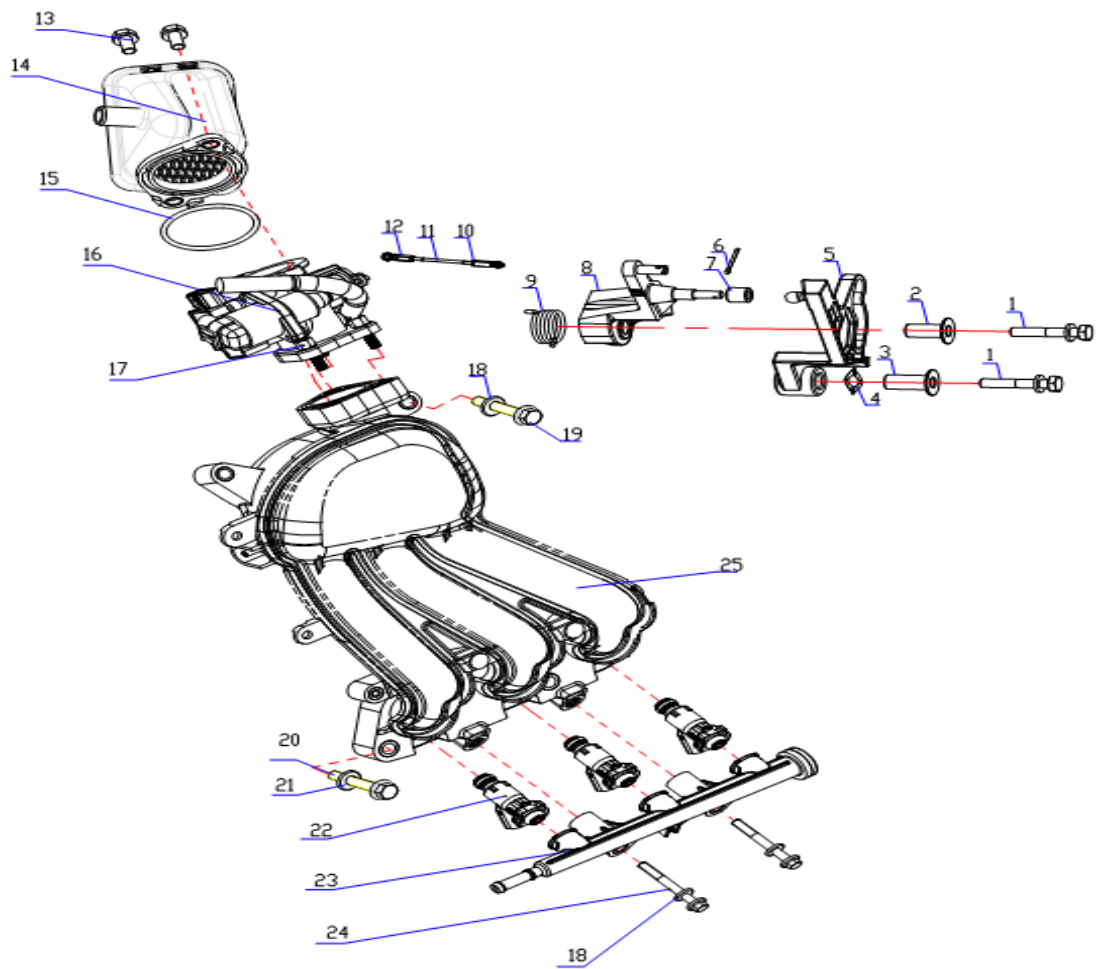
10. Поддон двигателя 2

NO.	КОД MR	КОД №2	КОД OEM	НАИМЕНОВАНИЕ	ШТ	УПАКОВКА
1	MR2062702003ABAG		F60-02.00.02.05	Water pipe 3 (30mm)	1	10
2	MR01070137BAG		15F-02.11	Plastic Water nozzle	1	5
3	MR2062702015A		F60-02.00.01.26	Rubber plug	1	1
4	MR01070819BAG		DQDF15-00.05.05	Seat, External water hose	1	2
5	MR01060809BAG		DQDF15-00.05.04	Rubber gasket	1	2
6	MR01070817BAG		DQDF15-00.05.02	Cap, External water hose	1	2
7	MR01070818BAG		DQDF15-00.05.03	Plug, External water hose	1	2
8	MR2062702001ABAG		F60-02.00.02.02	Water pipe 1	1	2
9	MR2072702015ABAG		F60-02.00.01.15	Water pipe bracket 2	1	2
10	MR0104406BAG		GB9074_1.M6X20.8_8	Flat gasket&Bolt	2	10
11	MR2072702016ABAG		F60-02.00.01.16	Snap 3	1	2
12	MR01070226BAG		F15-05.00.00.17	T-branch pipe	2	2
13	MR2062702002ABAG		F60-02.00.02.04	Water pipe 2 (228mm)	1	2
14	MR2062702014A		F60-02.00.01.24	Water pipe rubber sheath	1	1
15	MR2072702017ABAG		F60-02.00.01.22	Plastic fixing sleeve	1	2
16	MR2062605012ABAG		F40-02.00.02.01	Fuel cooling water return pipe	1	2
17	MR0104055BAG		GB5787 M6*16(9.8)	Hex Flange Bolt M6*16	2	2
18	MR2062702011ABAG		F60-02.00.01.20	Rubber cushion 2	2	2
19	MR2022702012ABAG		F60-02.00.01.21	Shock Absorber Liner	2	2
20	MR2062702008A		F60-02.00.01.18	Shock Absorber 2	2	1
21	MR2062701001ABAG		F60-01.01.00.09	Return pipe	1	2
22	MR010118009		F25-02.02.00.00	Lock handle comp.	1	1
23	MR01071119BAG		40F-02.02.00.03	Washer	1	2
24	MR01081111BAG		40F-02.02.00.02	Washer	1	2
25	MR01071120BAG		40F-02.02.00.04	Washer	1	2
26	MR010818025		F25-02.02.00.04	Latch segment	1	1
27	MR0104009BAG		GB5783.M6X16.8_8	Bolt	1	10
28	MR0104164BAG		GB96 M6	Flat gasket	1	10
29	MR0104122BAG		GB845.ST5_5X19	Pan head screw ST5.5*19	2	10
30	MR01081113		40F-02.02.00.07	Spring hook	1	1
31	MR01091110BAG		40F-02.02.00.06	Tension spring, latch segment	1	5
32	MR2062702007A		F60-02.00.01.17	Shock Absorber Pad 1	2	1
33	MR0110121		DQQ-00.00.03.05	connection wire	1	1



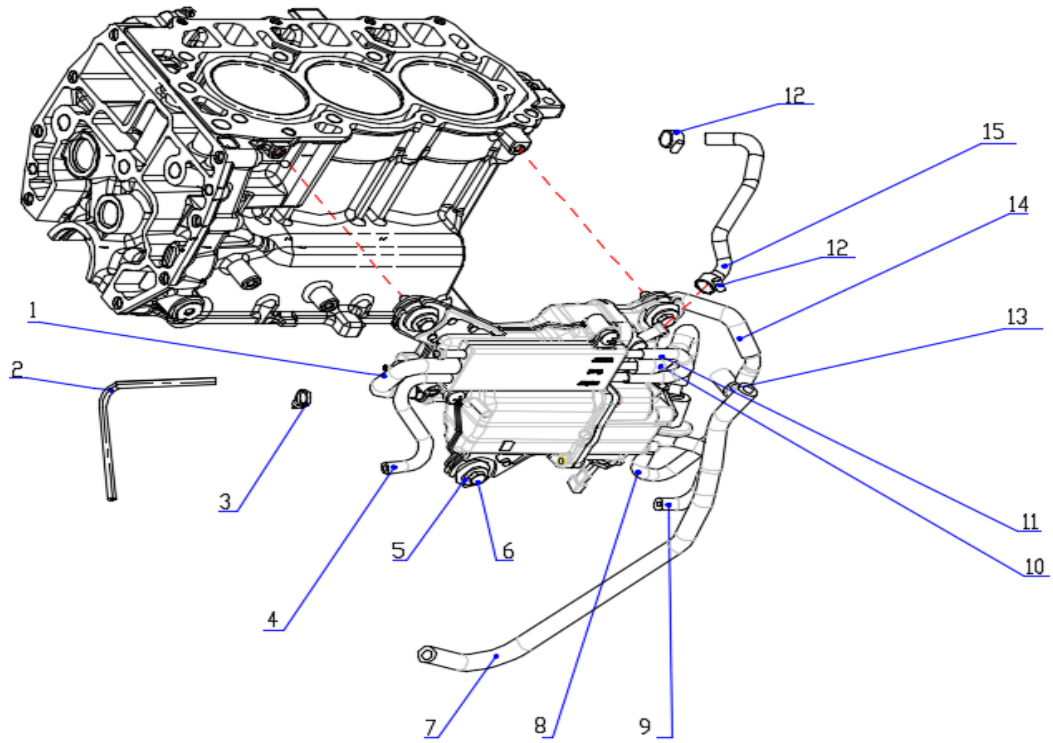
11. Поддон двигателя 3

NO.	КОД MR	КОД №2	КОД OEM	НАИМЕНОВАНИЕ	ШТ	УПАКОВКА
1	MR2082602012A		F60-02.00.01.30	Fixed plate	1	1
2	MR0104404BAG		GB9074_1.M6X16.8_8	Bolt	4	10
3	MR2062705012A		F60-02.00.01.28	Cable fixing sheath	1	1
4	MR2062705013A		F60-02.00.01.29	Base harness plug	1	1
5	MR2082705004A		F60-02.00.01.27	Cable fixing plate	1	1
6	MR2062702005A		F60-02.00.01.02	Base rubber seal	1	1
7	MR2072702017ABAG		F60-02.00.01.22	Plastic fixing sleeve	1	2
8	MR2062702014A		F60-02.00.01.24	Water pipe rubber sheath	1	1
9	MR2072702018ABAG		F60-02.00.01.25	Plastic bracket 2	1	2
10	MR2072702008ABAG		F60-02.00.01.06	Oblong head	1	2
11	MR2062702006ABAG		F60-02.00.01.07	Rectangular bulkhead washer	1	2
12	MR2062702016A		F60-02.00.03.01	Rubber sealing stripe	1	1
13	MR2032701023A			Ten-core plug harness (short) (0.28M)	1	1
	MR2032701099		F60-01.09.00.09	Ten core plug harness (with self-locking plug-in)	1	1
14	MR01060805		DQDF15-00.03.03	rubber sleeveA	1	1
15	MR2032701098		F60-01.09.00.13	EFI power cord (with self-locking plug-in) old	1	1
	MR2032701021A			EFI power cord (new type)	1	1
16	MR2032702003A			Warp switch	1	1
17	MR2032701100		F60-01.09.00.14	Ten core cable adapter	1	1



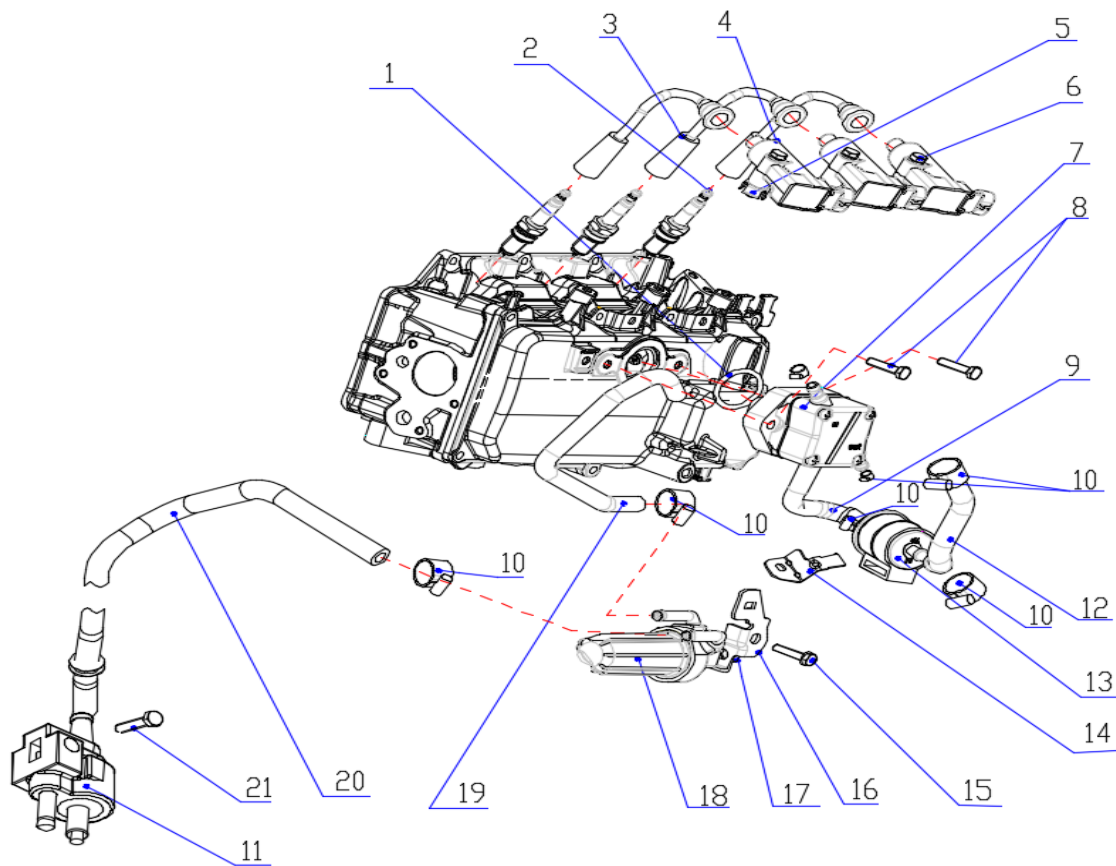
12. Впускная система

NO.	КОД MR	КОД №2	КОД OEM	НАИМЕНОВАНИЕ	ШТ	УПАКОВКА
1	MR0104409BAG		GB9074_1.M6X35.8_8	Hexagonal bolt & flat gasket assy M6*35	2	10
2	MR2022701023ABAG		F60-01.07.08.09	Bush 2	1	2
3	MR2022701022ABAG		F60-01.07.08.08	Bush 1	1	2
4	MR01081944BAG		60F-01.05.00.07	Wave Washer	1	5
5	MR2072701033A		F60-01.07.08.01	Throttle rocker arm 1	1	1
6	MR0104186BAG		GB91 1.6*16	Cotter pin	1	10
7	MR2022701046ABAG		F60-01.07.08.07	Rocker sleeve	1	5
8	MR2072701044A		F60-01.07.08.15	Throttle rocker arm 2 components	1	1
9	MR2092701007ABAG		F60-01.07.08.10	Torsion spring	1	2
10	MR0104323BAG		GB6172.1 M5	Hexagonal thin nut M5	1	10
11	MR2022701061ABAG		F60-01.07.08.05	Throttle valve metal connecting rod	1	2
12	MR01070117BAG		15F-01.03.12	Linkage connector	2	2
13	MR0104403BAG		GB9074.1 M6*12(A2-70)	Bolt	2	10
14	MR2072601004A		F40-01.05.02.10	Air filter	1	1
15	MR01061128BAG		40F-03.07.08	Rubber ring	1	2
16	MR2052601067A		F40-01.07.00.01	Throttle	1	1
17	MR0104405BAG		GB9074.1 M6*18(A2-70)	hexagon headed bolt and flat plate M6*18	3	10
18	MR0104164BAG		GB96 M6	Flat gasket	4	10
19	MR0104232BAG		GB5789 M6*35 8.8	Hexagon flange bolts	2	5
20	MR0104214		GB5787 M8*40 8.8	Hexagon flange bolts	4	1
21	MR0104165BAG		GB96 M8	Flat gasket	4	10
22	MR01051847		F25EI-01.03.01.00	Injector assembly	3	1
23	MR2072601074A		F40-01.07.04.10	Fuel rail	1	1
24	MR01040601BAG		GB5789 M6X50 8.8	Bolt (iron-chromium alloy) M6 * 50 (8.8)	2	10
25	MR2072601003A		F40-01.05.01.00	Intake manifold	1	1



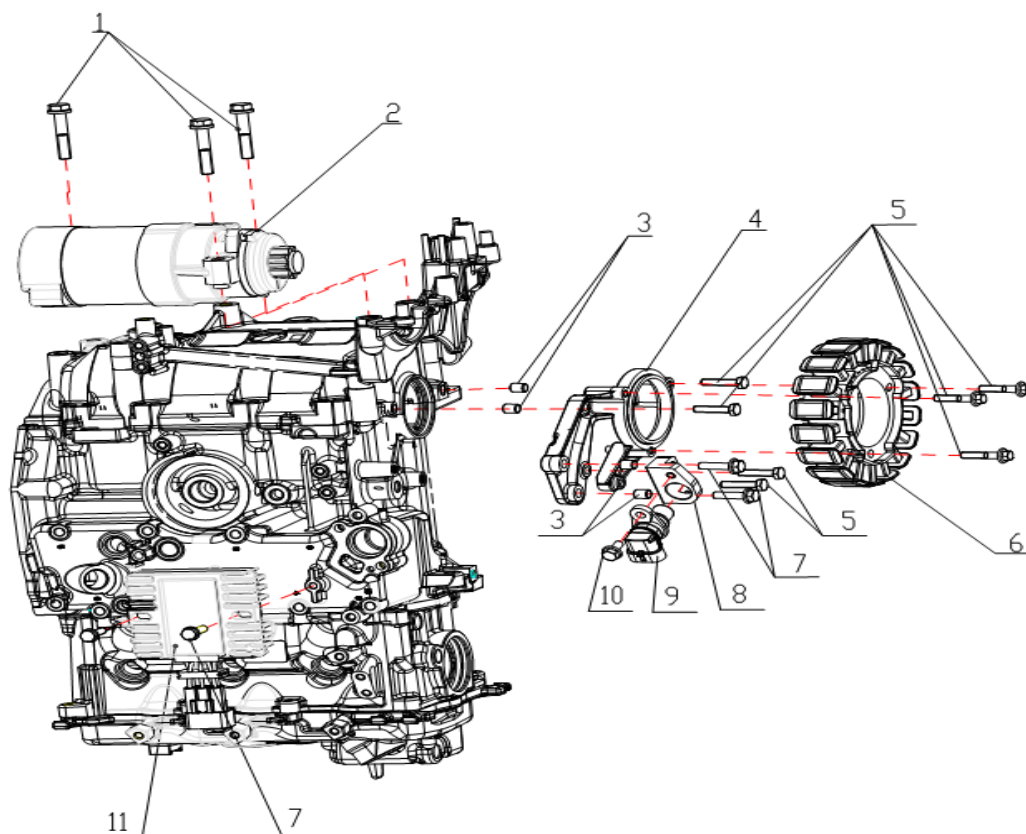
13. Топливные шланги

NO.	КОД MR	КОД №2	КОД OEM	НАИМЕНОВАНИЕ	ШТ	УПАКОВКА
1	MR2062601039A		F40-01.07.09.06-EPA	Condenser with oil chamber hose (EPA)	1	1
2	MR2062701092A		F60-01.07.03.28-EPA	Drain pipe (EPA)	1	1
3	MR3005053BAG	MR02010116	4*150	Cable tie (black)	1	10
4	MR2062601019A		F40-01.07.09.07	Condenser inlet pipe	1	1
5	MR0104164BAG		GB96 M6	Flat gasket	3	10
6	MR0104058BAG		GB5787 M6*30	Bolt	3	5
7	MR2062601024A		F40-01.07.09.12	Carbon canister with throttle hose	1	1
8	MR2062601047A		F40-01.07.09.08-EPA	3 * 7 * 115	1	1
9	MR2062601025A		F40-01.07.09.13	Pressure regulator with manifold hose	1	1
10	MR2062601045A		F40-01.07.09.14-EPA	Pressure regulator condenser hose	1	1
11	MR2062701040ABAG		F60-01.07.06.06	Condensate water pipe	1	5
12	MR01080911BAG		3.5F-01.04.05.00	clamp	2	2
13	MR2072701001ABAG		F60-01.07.00.21	Tee	1	2
14	MR2062601048A		F40-01.07.09.09-EPA	3 * 7 * 100	1	1
15	MR2062601035A		F40-01.07.04.03-EPA	Fuel rail with oil chamber hose	1	1



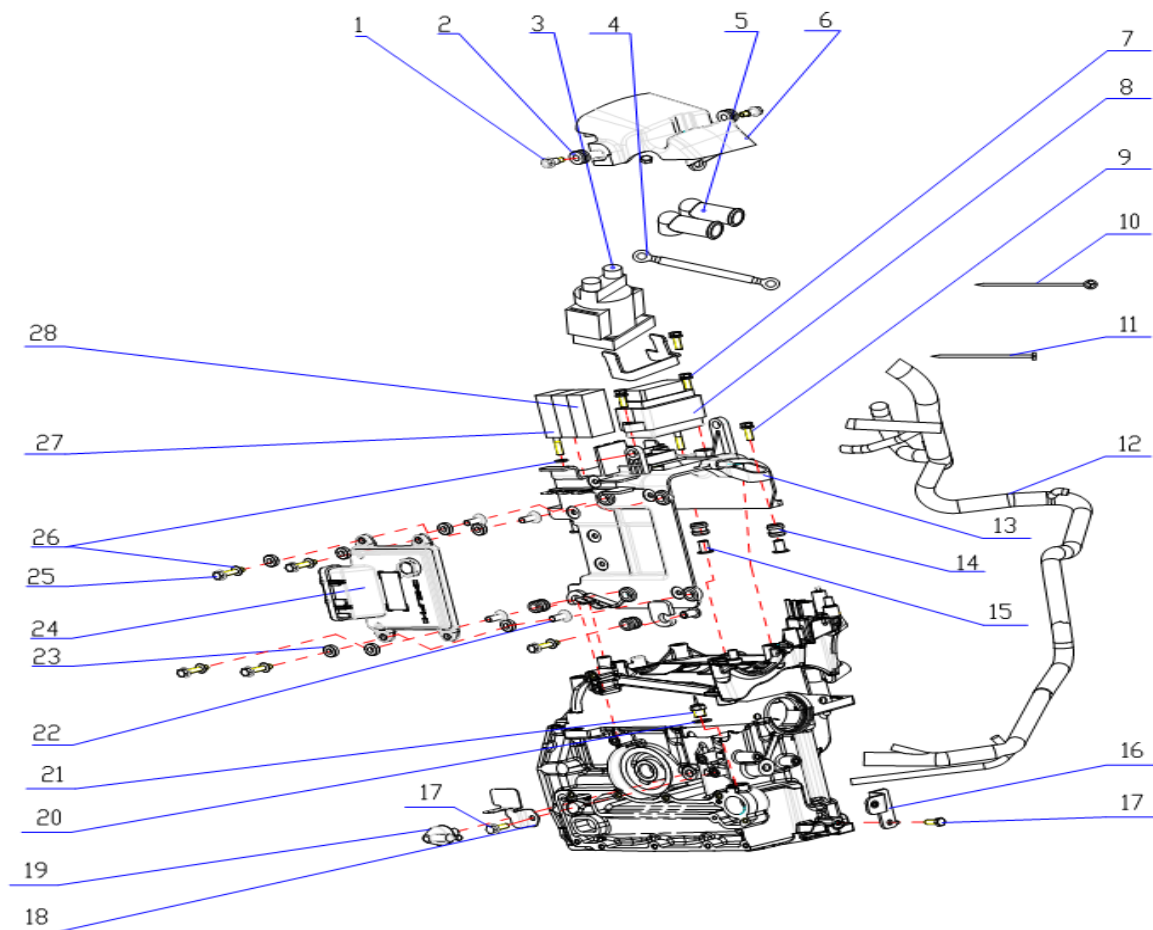
14. Фильтр, свечи, катушки зажигания

NO.	КОД MR	КОД №2	КОД OEM	НАИМЕНОВАНИЕ	ШТ	УПАКОВКА
1	MR2062701052ABAG		F60-01.07.05.04	Piston pump O-ring	1	2
2	MR01030312		DPR6EB-9	Spark Plug	3	1
3	MR2032601056A		F40-01.07.14.13	High voltage line	3	1
4	MR01031828		F25EI-01.02.10.01	Ignition coils	3	1
5	MR2082601019A		F40-01.07.00.03	Ignition coil bracket	3	1
6	MR0104410BAG		GB9074.1 M6*40(8.8)	Bolt	3	10
7	MR2052701007A		F60-01.07.00.02	Fuel pump	1	1
8	MR0104407BAG		GB9074.1 M6*25(8.8)	Hexagonal bolt & flat gasket assy M6*25	2	10
9	MR2062601037A		F40-01.07.09.03-EPA	Plunger pump with fine filter hose (EPA)	1	1
10	MR01080911BAG		3.5F-01.04.05.00	Clamp assy. (JB/T 8870-1999)	7	2
11	MR01100106		15F-01.07.01.00	Fuel hose joint assy	1	1
12	MR2062601038A		F40-01.07.09.04-EPA	Fine filter with oil chamber hose (EPA)	1	1
13	MR01051848		F25EI-01.03.02.00	Final filter assembly	1	1
14	MR2082601022A		F40-01.07.02.03	Final filter bracket	1	1
15	MR01044132BAG		GB9074.1 M8*20(A2-70)	Hexagon headed bolt and flat plate M6*20	1	10
16	MR2082601018A		F40-01.07.01.05	Fuel filter bracket	1	1
17	MR0104139BAG		GB6170.M8	Bolt nut	1	10
18	MR2072701007A		F60-01.07.01.01	Fuel Filter	1	1
19	MR2062601036A		F40-01.07.09.02-EPA	Filter with plunger pump hose (EPA)	1	1
20	MR2062701084A		F60-01.07.00.35-EPA	Main fuel inlet pipe inlet (EPA)	1	1
21	MR0104406BAG		GB9074.1 M6*20 8.8	bolt&washer assy	1	10



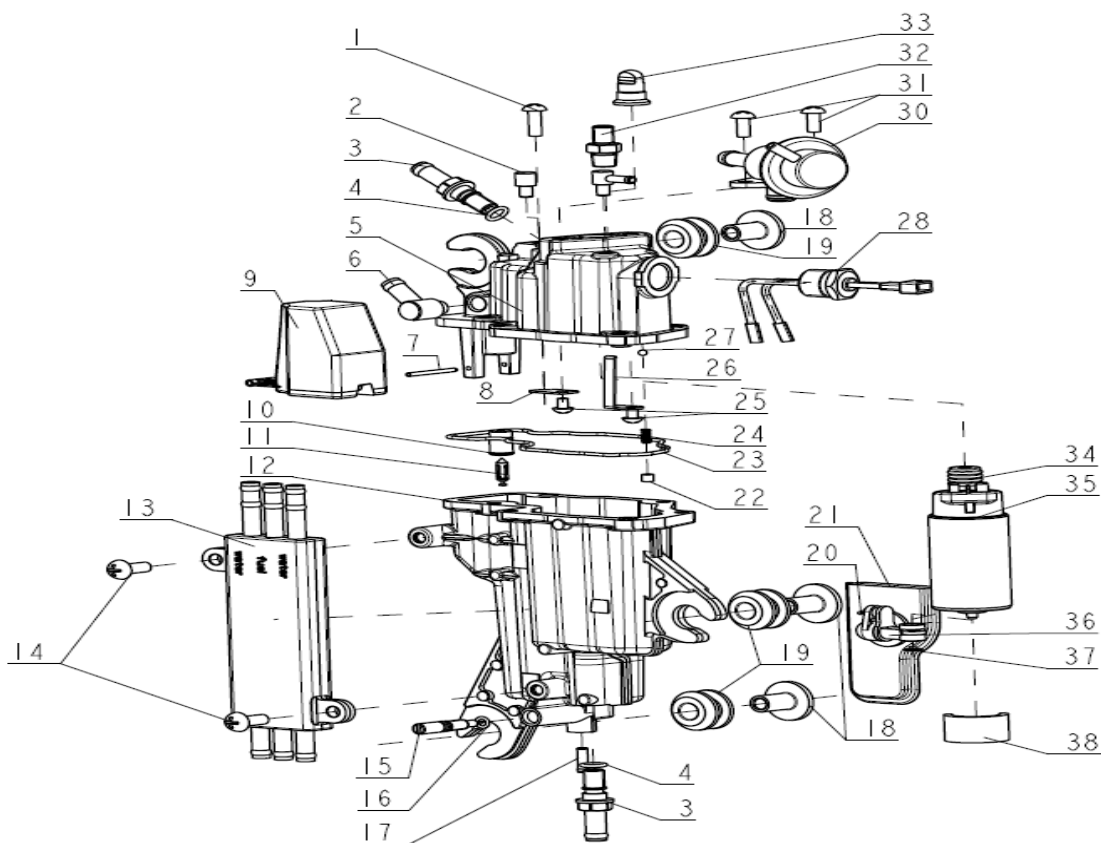
15. Стартер, генератор

NO.	КОД MR	КОД №2	КОД OEM	НАИМЕНОВАНИЕ	ШТ	УПАКОВКА
1	MR01044136BAG		GB9074.1 M8*45(A2-70)	Bolt and flat plate M8*45	3	2
2	MR2032601004A		F40-01.09.10.01	Starting motor	1	1
3	MR2022701033A		F60-01.09.00.03	Pin sleeve	4	1
4	MR2012601010A		F40-01.09.00.02	Charging coil bracket	1	1
5	MR0104408BAG		GB9074.1 M6*30(A2-70)	Bolt	7	10
6	MR2032601005A		F40-01.09.00.04	Stator coil	1	1
7	MR0104057BAG		GB5789 M6*25(10.9)	Bolt	4	5
8	MR2012601009A		F40-01.02.00.03	Speed sensor bracket	1	1
9	MR2032601067A		F40-01.02.00.02	Speed sensor	1	1
10	MR0104404BAG		GB9074.1 M6*16(A2-70)	Bolt	1	10
11	MR2032601070		F40-01.02.00.01	Rectifier	1	1



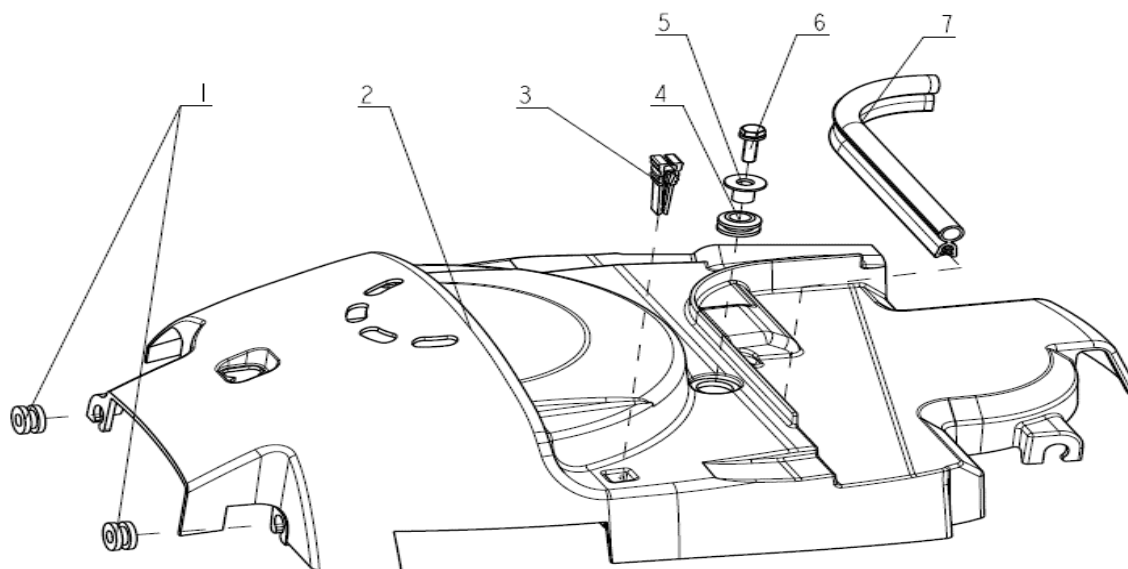
16.Электронный блок управления

NO.	КОД MR	КОД №2	КОД OEM	НАИМЕНОВАНИЕ	ШТ	УПАКОВКА
1	MR2022601005ABAG		F40-01.07.00.45	Plastic cover bolt	2	5
2	MR2062701023ABAG		F60-01.02.00.07	Damping ring	3	2
3	MR01031811			relay Assy.	1	1
4	MR01031616		40FE-01.03.28	electric wire, 40F Electric Trim positive pole	1	1
5	MR01060805		DQDF15-00.03.03	rubber sleeveA	7	1
6	MR2072601018A		F40-01.07.00.43	Relay plastic cover	1	1
7	MR0104406BAG		GB9074.1 M6*20(8.8)	Flat gasket&Bolt	2	10
8	MR01031914		60FET-01.02.15.00	relay Assy,lifted motor	1	1
9	MR0104408BAG		GB9074.1 M6*30(8.8)	Bolt	6	10
10	MR2072701071A		F60-01.07.14.03	Arrow Tie	6	1
11	MR3005053BAG	MR02010116	4*150	Cable tie (black)	8	10
12	MR2032601061A		F40-01.07.00.41	Bus bundle layout	1	1
	MR2032601069		F40-01.07.00.46	Bus bundle arrangement (with self-locking plug-in)	1	1
13	MR2072601014A		F40-01.07.07.01	Bus Bundle Base	1	1
14	MR2062601033A		F40-01.07.03.27	Cushion	6	1
15	MR2022701021ABAG		F60-01.05.02.12	bushing	6	2
16	MR2082601020A		F40-01.07.00.05	Start cover bracket	1	1
17	MR0104404BAG		GB9074.1 M6*16(8.8)	Bolt	1	10
18	MR2082601023A		F40-01.07.00.42	Harness bracket	1	1
19	MR2052701076A		F60-01.01.00.26	Oil pressure alarm	1	1
20	MR010818005BAG		F25-01.04.00.01	Washer 14	1	2
21	MR01031807B			Temperature control sensor assembly (Yu Xin)	1	1
22	MR2022701045ABAG		F60-01.07.00.10	ECM metal foot pad	4	2
23	MR2062701043ABAG		F60-01.07.00.09	ECM foot pad	8	2
24	MR2032601006A		F40-01.07.00.08	ECM	1	1
25	MR0104058BAG		GB5789 M6*30 8.8	Bolt	4	5
26	MR0104164BAG		GB96 M6	Flat gasket	10	10
27	MR01031826		F25EI-01.02.11.00	Four-pin control relay	2	1
28	MR01031827		F25EI-01.02.12.00	Five-pin control relay	1	1



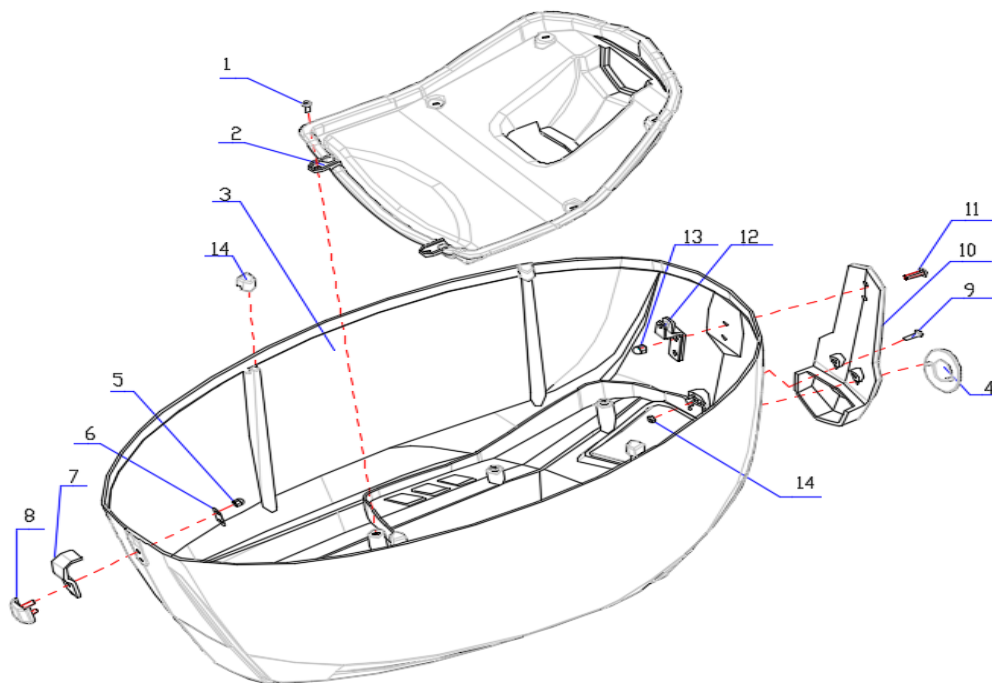
17. Топливный сепаратор

NO.	КОД MR	КОД №2	КОД OEM	НАИМЕНОВАНИЕ	ШТ	УПАКОВКА
1	MR0104079BAG		GB818.M5X16	Pan head bolt with cross recess	6	10
2	MR2022701015A		F60-01.07.03.15	Fitting 1	2	1
3	MR2022701024A		F60-01.07.03.06	Pipe joint 3	2	1
4	MR2062701049ABAG		F60-01.07.03.08	Pipe coupling 3O ring	2	5
5	MR2012601005A		F40-01.07.03.01	Upper shell	1	1
6	MR2022601006A		F40-01.07.03.06	Fitting 4	1	1
7	MR2022701056A		F60-01.07.03.23	Float pin	1	1
8	MR2082601007A		F40-01.07.03.12	Bezel 1	1	1
9	MR2072601008A		F40-01.07.03.07	Float assembly	1	1
10	MR2052601007ABAG		F40-01.07.03.24	Valve seat	1	2
11	MR2052701025ABAG		F60-01.07.03.25	Valve needle	1	5
12	MR2012601007A		F40-01.07.03.02	Lower case	1	1
13	MR2052701015A		F60-01.07.06.00	Condenser assembly	1	1
14	MR01040830BAG		GB818.M6X15	Cross recessed pan head screws	2	10
15	MR2022701044A		F60-01.07.03.18	Oil drain plug	1	1
16	MR2062701054A		F60-01.07.03.19	Oil drain plug O-ring	1	1
17	MR2022701059ABAG		F60-01.07.03.29	Oil chamber discharge port	1	2
18	MR2022701031A		F60-01.07.03.07	Oil chamber mounting pad	3	1
19	MR2062701031ABAG		F60-01.07.03.20	Oil room installation washer	3	2
20	MR0104284BAG		GB91 1*12	Cotter pin	1	10
21	MR2102601005A		F40-01.07.03.15	Filter	1	1
22	MR2022601003ABAG		F40-01.07.03.18	Return port outlet	1	2
23	MR2062601007A		F40-01.07.03.11	Upper and lower shell seals	1	1
24	MR2092601001ABAG		F40-01.07.03.16	Return port spring	1	2
25	MR0104072BAG			Screws M4*6	2	10
26	MR2082601008A		F40-01.07.03.13	Bezel 2	1	1
27	MR2062601010A		F40-01.07.03.17	Oil return port sealing ball	1	1
28	MR2032601003A		F40-01.07.03.21	Oil pump seal connection	1	1
30	MR2052701012A		F60-01.07.00.19	Pressure regulator	1	1
31	MR0104077BAG		GB818 M5*12	Screw M5*12	2	10
32	MR01051852		F25E1.01.03.06.00	Exhaust valve assembly	1	1
33	MR2062701032A		F60-01.07.03.13	Cap	1	1
34	MR2062601032A		F40-01.07.03.32	In-cavity fuel pump rubber sleeve	1	1
35	MR2052601001A		F40-01.07.03.03	EFI fuel pump	1	1
36	MR2072601007ABAG		F40-01.07.03.04	Filter connection plastic	1	2
37	MR2082701055A		F60-01.07.03.31	Snap ring of fuel pump filter in cavity	1	1
38	MR2062601033A		F40-01.07.03.27	Cushion	1	1



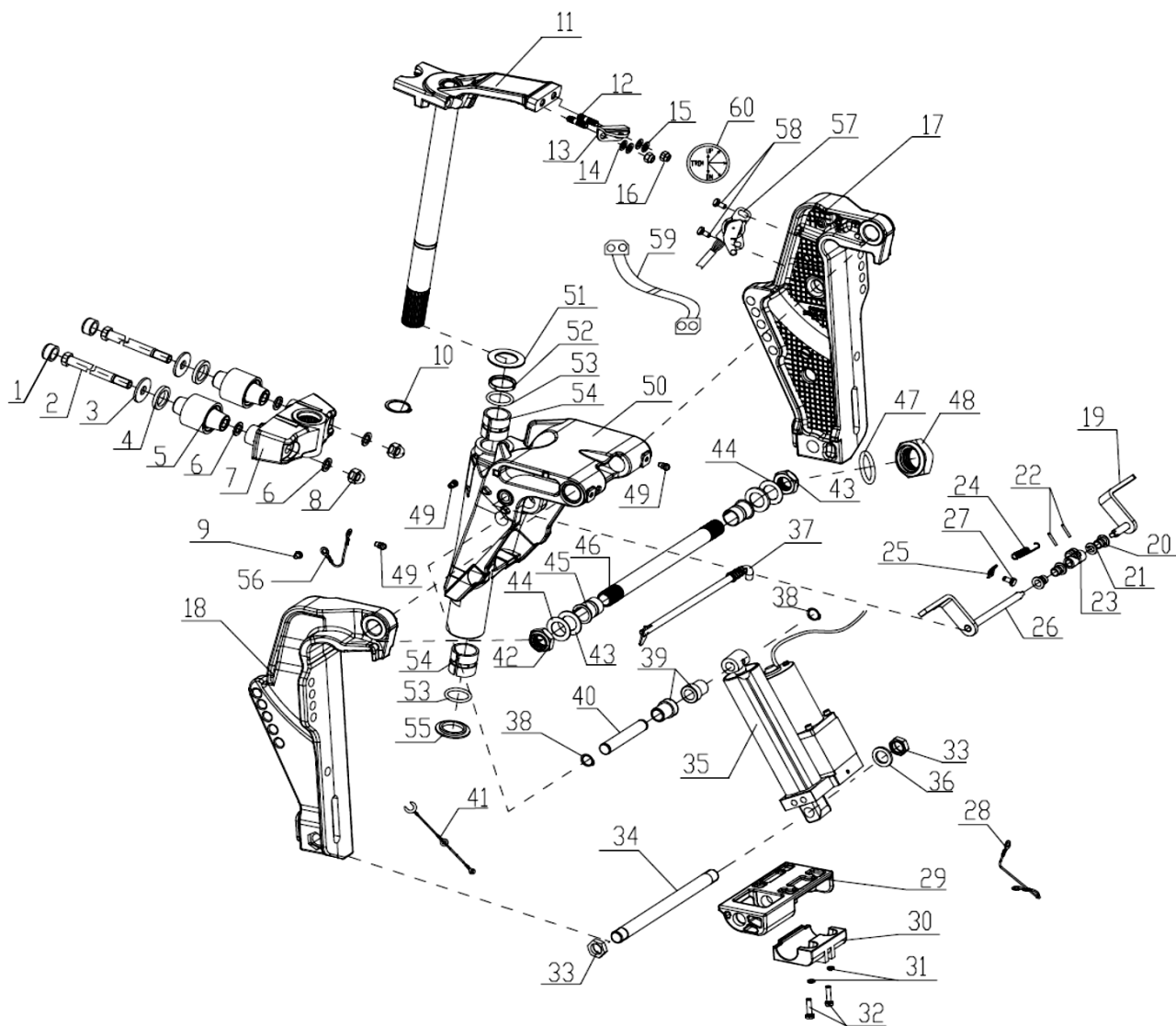
18. Кожух маховика

NO.	КОД MR	КОД №2	КОД OEM	НАИМЕНОВАНИЕ	ШТ	УПАКОВКА
1	MR2062701023ABAG		F60-01.02.00.07	Damping ring	2	2
2	MR2072601010A		F40-01.08.00.01	Boot hood	1	1
3	MR2072601001ABAG		F40-01.08.00.03	Plastic clip	1	2
4	MR2062701027ABAG		F60-01.08.10.01	Shock-absorbing rubber pad	1	2
5	MR2022701032ABAG		F60-01.08.10.02	bushing	1	2
6	MR0104406BAG		GB9074_1.M6X20.8_8	Flat gasket&Bolt	1	10
7	MR2062701026A		F60-01.08.00.02	Rubber strip	1	1



19. Капот

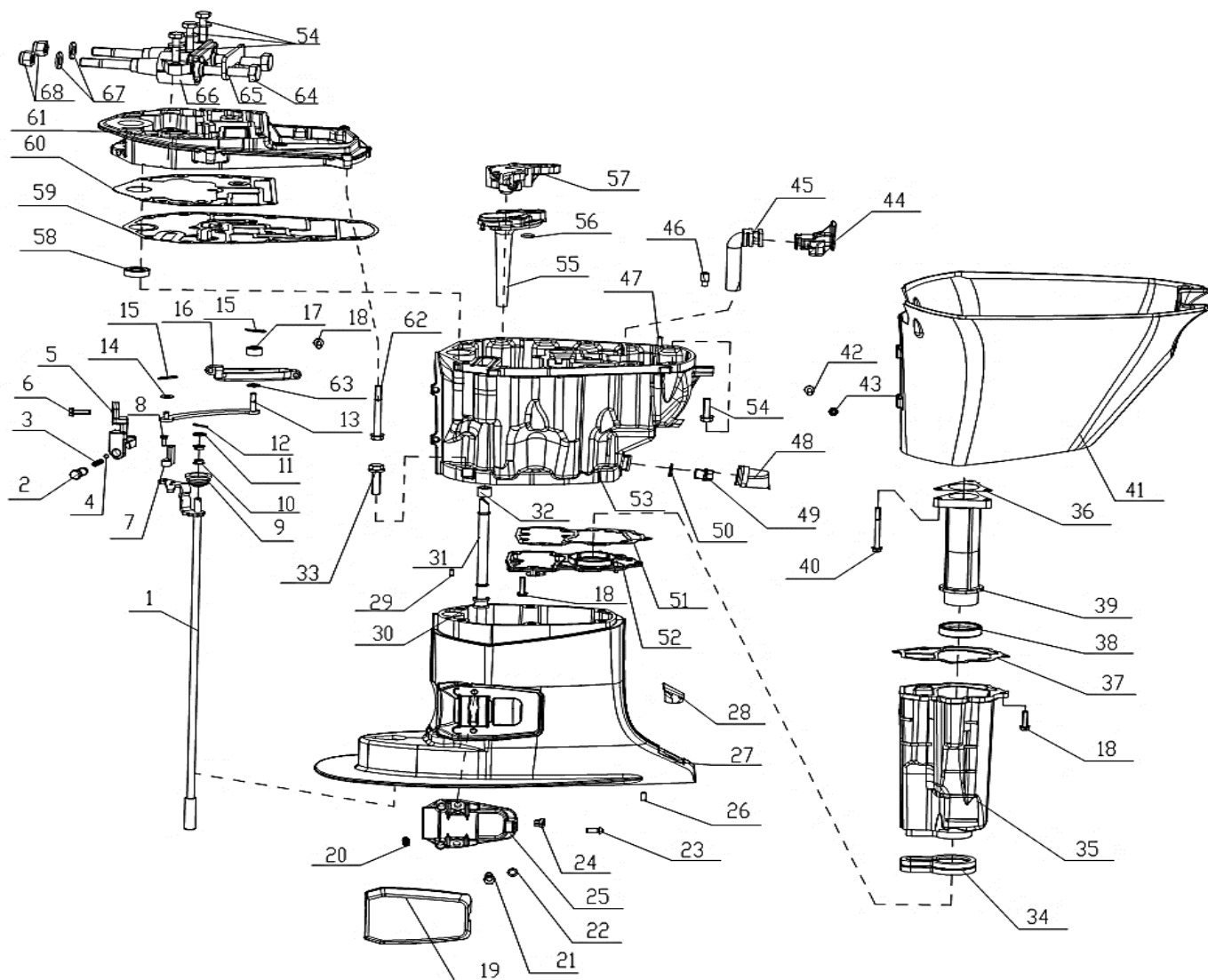
NO.	КОД MR	КОД №2	КОД OEM	НАИМЕНОВАНИЕ	ШТ	УПАКОВКА
1	MR0104093BAG		GBT845.ST4_8X16	bolt	6	10
2	MR2072607011A		F40-07.00.00.02	Air inlet cover assembly	1	1
3	MR2072607001A			Top cover	1	1
4	MR2072707003A		F60-07.00.00.05	Hidea logo	1	1
	MR2072707004A		F60-07.00.00.08	Blank logo	1	1
5	MR0104145BAG		DIN985 M5	Hexagonal nut	4	10
6	MR010818030BAG		F25-07.00.00.05	Plate	1	5
7	MR010818029		F60-07.01.00.01	Hook(front)	1	1
8	MR010718015		F25-07.01.00.00	Bolt comp.	1	1
9	MR0104079BAG		GB818m5*16	Pan head bolt with cross recess	2	10
10	MR2072607005A		F40-07.00.01.08	logo mounting plate	1	1
11	MR2022707001A		F60-07.00.00.06	Pan head bolt	2	1
12	MR010818031		F25-07.02.00.00	Rear lock hook comp.	1	1
13	MR0104146BAG		DIN985 M6	hexagon nylon lock nut	2	10
14	MR2062707002ABAG		F60-07.00.00.04	Shock absorber foot	4	2



20. Кронштейн струбцин

NO.	КОД MR	КОД №2	КОД OEM	НАИМЕНОВАНИЕ	ШТ	УПАКОВКА
1	MR01061932BAG		60F-05.00.00.07	rubber sleeve	2	2
2	MR01021901		60F-05.00.00.14	Hex head Bolt M12*1.25*153	2	1
3	MR0104167BAG		GB96.M12	Gasket	2	5
4	MR01061933BAG		60F-05.00.00.13	Rubber Cushion Ф25	2	5
5	MR01021937		60F-05.00.03.00	Lower Damper Assy	2	1
6	MR0104161BAG		GB848.M12	Flat gasket 12	4	10
7	MR01011928		60F-03.00.00.02	Lower damper base	1	1
8	MR0104333		DIN985.M12X1_25	Hex nylon locking nut M12*1.25	2	1
9	MR0104321BAG		GB823.M6X8	Screw M6*8	1	10
10	MR0104324BAG		GB894_1.30	Circlip D30	1	10
11	MR2012704001A		F60-04.00.01.01	Steering bracket	1	1
12	MR01021124		40F-04.01.04	Double-screw bolt	2	1
13	MR01081967		60FE-03.00.00.24	lever hook (for remote model)	1	1
14	MR01041710901BAG		GB97.1 M10	Flat gasket	2	10
15	MR01041541BAG		GB93 M10	Spring washer	2	10
16	MR0104230BAG		DIN985□	Nut M10*1.25 (for remote model)	2	2
	MR2022703010A		F60-04.00.01.10	nut (Only for tail control model)	2	1
17	MR2012703004A		F60-03.00.01.06	Right bracket	1	1
18	MR2012703003A		F60-03.00.01.05	Left bracket	1	1
19	MR01081904		60F-03.00.06.00	Tilt positioning lever - Right	1	1
20	MR01071931BAG		60F-03.00.00.20	Arm bush	3	2
21	MR01071932BAG		60F-03.00.00.21	Arm open bush	1	2
22	MR0104371BAG		GB879.3X16	Elastic cylindrical pin 3*16	2	10
23	MR01071933		60F-03.00.04.00	Tilt positioning lever arm assy.	1	1
24	MR01091911BAG		60F-03.00.00.19	Tilt positioning lever spring	1	2
25	MR01081920BAG		60F-03.00.00.18	Hook,spring	1	5

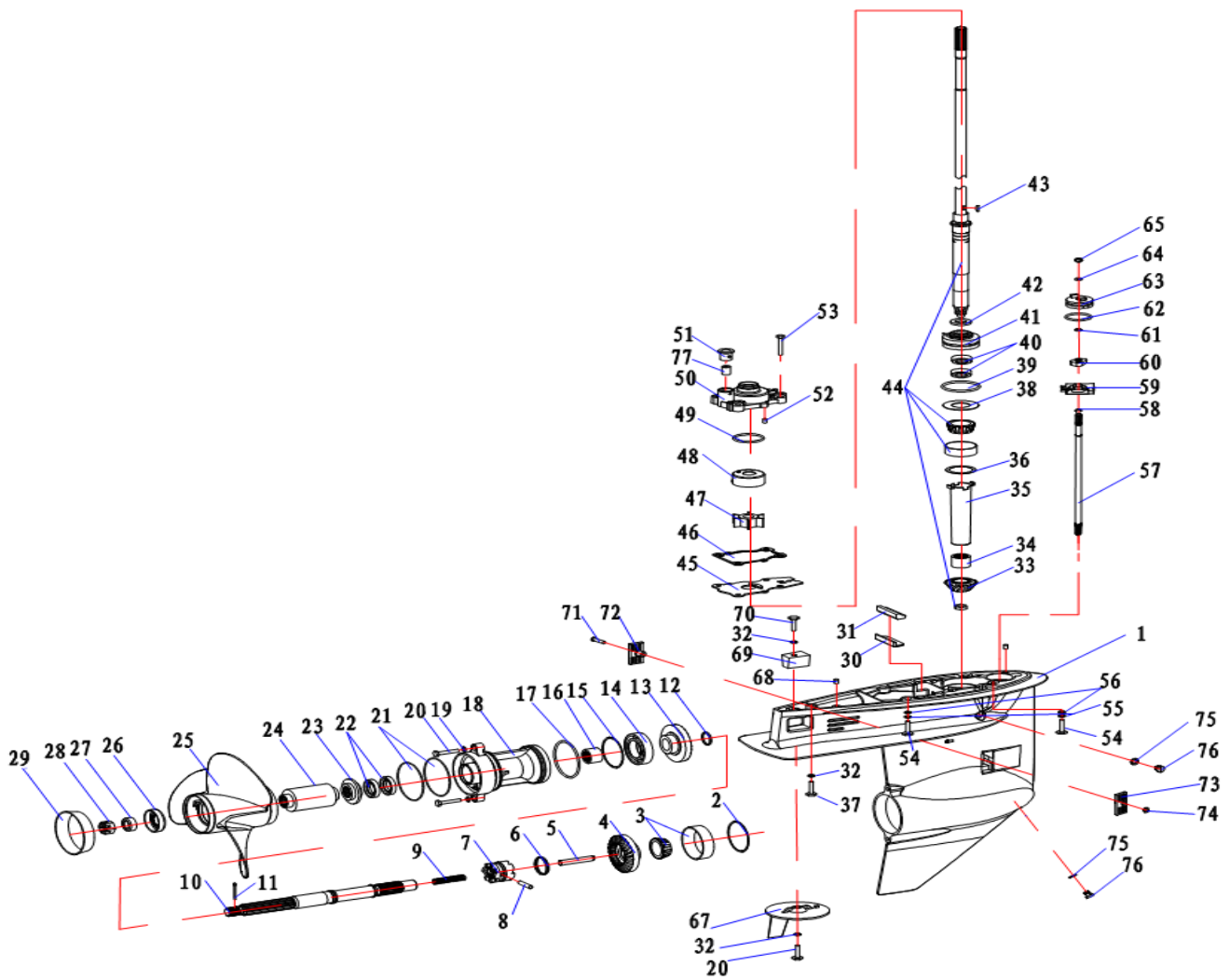
26	MR01081903		60F-03.00.05.00	Tilt positioning lever - Left	1	1
27	MR0104007BAG		GB5783.M6X10	Hex Bolt M6*10	1	10
28	MR2032703094A		F60-03.00.01.02	Ground wire I	1	1
29	MR091101011930	MR07190012	60F-03.00.00.12	Bracket block	1	1
30	MR01011903		60F-03.00.00.11	Anode	1	1
31	MR0104171BAG		GB97.1 M6	Flat gasket	2	10
32	MR0104013BAG		GB5783.M6X25	Hex Head Bolt M6*25	3	10
33	MR01021928		60F-03.00.00.09	Hex Nut M18*1.5	2	1
34	MR01021932		60F-03.00.00.13	Hydraulic Power Trim Suport shaft (down)	1	1
35	MR01051951		60FET-03.00.08.00	Power Trim Assy.	1	1
36	MR01081930		60F-03.00.00.10	Flat Gasket Φ19*Φ29.5*3	1	1
37	MR01091943			Angle positioning pin assy.	1	1
38	MR0104335BAG		GB894_1.15	Circlip A type Φ15	2	10
39	MR01071948BAG		60F-03.00.00.30	Lifting bushing	2	2
40	MR01021930		60F-03.00.00.16	Hydraulic Trim Suport shaft (up)	1	1
41	MR01101903		60F-05.00.02.00	Connecting wire assy	1	1
42	MR01020115		15F-03.01	Clamp nut	2	1
43	MR01070139BAG		15F-03.02	Nylon gasket	2	2
44	MR01081114BAG		40F-03.03	Washer	2	2
45	MR01071121		40F-03.07.02	Damping ring,bracket	2	1
46	MR01021114		40F-03.04	Bolt	1	1
47	MR01060825BAG		HDYK00.00.35.03	O-ring (16.3 * 2.3)	2	5
48	MR01070823BAG		HDYK00.00.35.02	Directional steel cable protective cover	2	5
	MR01071949BAG		60F-03.00.00.08	Stud cover	2	2
49	MR01100109BAG		JB.T7940.1	Oil cup	3	2
50	MR2012703002A		F60-03.00.01.01	Rotating bracket	1	1
51	MR01081919BAG		60F-03.00.00.07	Upper Bushing Washer	1	2
52	MR01071927BAG		60F-03.00.00.06	Upper bushing	1	2
53	MR01061926		60F-03.00.00.04	O ring(29*3.8)	2	1
54	MR01071926BAG		60F-03.00.00.05	Bushing	2	5
55	MR01071925BAG		60F-03.00.00.03	Lower Bushing	1	2
56	MR2032703093A		F60-03.00.01.03	Ground wire II	1	1
57	MR2032703096		F60-03.00.02.00	Lifting height sensor	1	1
58	MR01040830BAG			Cross recessed pan head screws	2	10
59	MR2032701095		F60-01.09.00.10	Altimeter patch cord	1	1
60	MR2032701096		F60-01.09.00.11	Warping altimeter	1	1



21. Дейдвуд

NO.	КОД MR	КОД №2	КОД OEM	НАИМЕНОВАНИЕ	ШТ	УПАКОВКА
1	MR2092705097A		F60-04.00.02.02	Upper shift lever assembly	1	1
2	MR2022705001A		F60-04.00.02.06	Shift mechanism locking bolt	1	1
3	MR01091904		60F-01.06.00.13	SPRING	1	1
4	MR2022705003A		F60-04.00.02.15	Shift cam core rod	1	1
5	MR2012705005A		F60-04.00.02.05	Gear shift mechanism bracket	1	1
6	MR0104406BAG		GB9074_1.M6X20.8_8	Flat gasket&Bolt	3	10
7	MR2072705005ABAG		F60-04.00.02.12	Plastic bracket 1	1	2
8	MR0104003BAG		GB5783.M5X12	Bolt	1	10
9	MR2062705005A		F60-04.00.02.03	Shift link rubber jacket	1	1
10	MR2072705002ABAG		F60-04.00.02.08	bushing	2	2
11	MR2082705003A		F60-04.00.02.14	Flat pad	1	1
12	MR0104188BAG		GB91.2X16	Cotter pin	1	10
13	MR2022705096A		F60-04.00.02.09	Shift lever combination	1	1
14	MR2072705004ABAG		F60-04.00.02.10	Flat pad	1	10
15	MR01090126BAG		15F-04.08.05	circlip(L)	2	2
16	MR2012705006A		F60-04.00.02.11	Gearshift slot	1	1
17	MR2072705003A		F60-04.00.02.13	Gearshift	1	1
18	MR0104407BAG		GB9074_1.M6X25.8_8	Hexagonal bolt & flat gasket assy M6*25	16	10
19	MR01011954		60F-05.00.00.09	Lower damper Cap	2	1
20	MR01091912BAG		60F-05.00.00.12	lower damper cap spring	4	2
21	MR0104037BAG		GB5783.M8X30	Bolt	4	2
22	MR01041540BAG		GB93.M8	washer	4	10
23	MR0104095BAG		GB845.ST5_5X16	Bolts	2	10
24	MR01071938BAG		60F-05.00.00.10	Plastic nut	2	2
25	MR091101011939		60F-05.00.00.11	Lower Damper Assy	2	1
26	MR01020110BAG		15F-01.06.20	Locating Pin 2*6	2	10

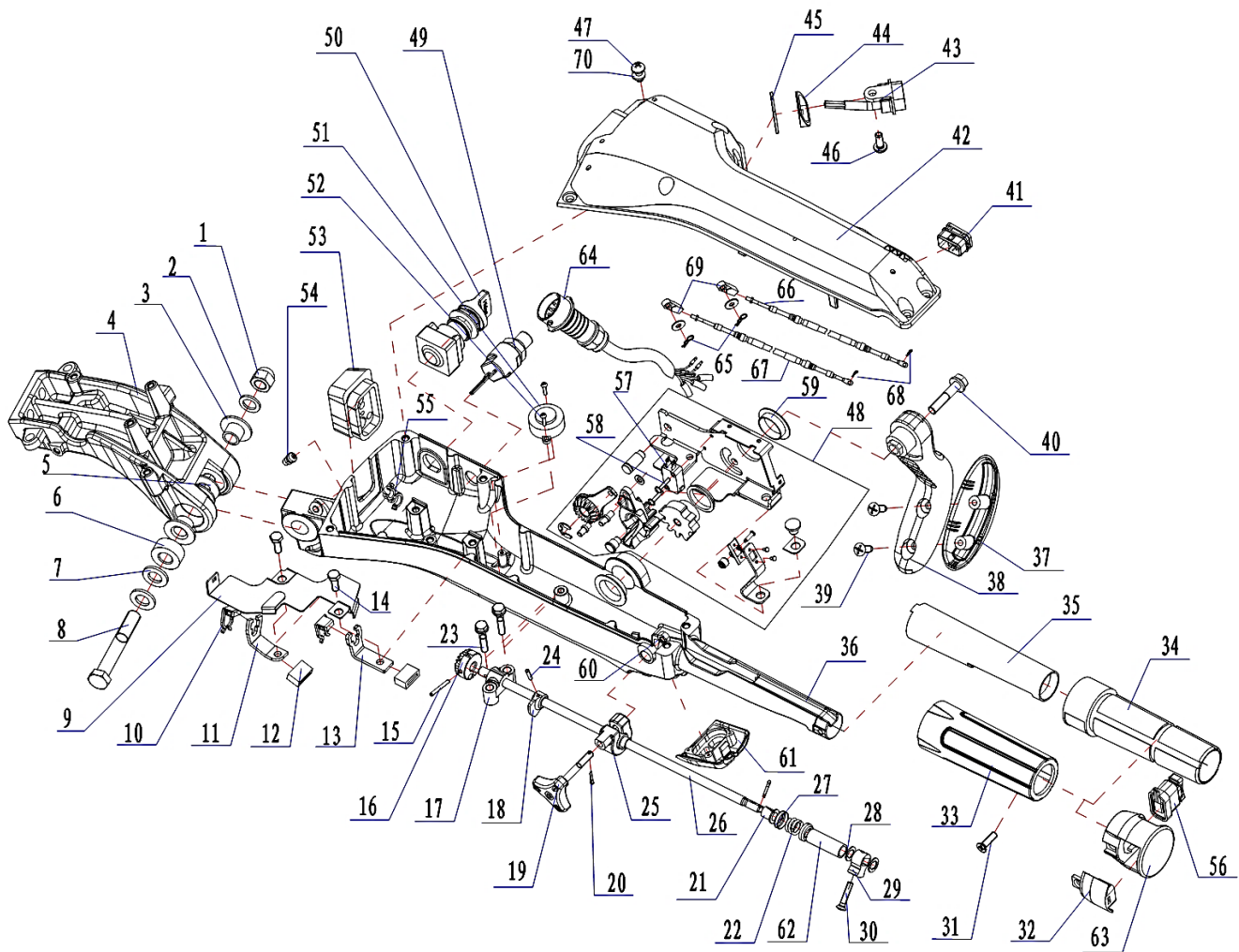
27	MR2012705003A		F60-05.00.01.02	Shell on water	1	1
28	MR01061902BAG		60F-00.00.00.03	Anode plug	1	2
29	MR01020521BAG		F9.9.05.00.00.26	Locating Pin 4*10	2	10
30	MR01061133BAG		40F-05.00.00.16	Seal ring(lower),hose	1	2
31	MR2102606001A		F40-05.00.03.19	Water pipe	1	1
32	MR2062705010A		F60-05.00.03.20	Water pipe sealing ring	1	1
33	MR010405102		GB5787.M10X40.8_8.S.13	Bolts	6	1
34	MR2062705002A		F60-05.00.02.06	Silencer gasket	1	1
35	MR2012705002A		F60-05.00.02.04	silencer	1	1
36	MR2052705001A		F60-05.00.02.02	Exhaust pipe pad	1	1
37	MR2052705006A		F60-05.00.02.05	Silencer pad	1	1
38	MR2062705001A		F60-05.00.02.03	Exhaust pipe gasket	1	1
39	MR2012705001A		F60-05.00.02.01	exhaust pipe	1	1
40	MR01044111BAG		GB9074_1.M6X65.8_8	Hex Bolt M6*65	3	10
41	MR2072705001A		F60-05.00.01.01	Decorative cover	1	1
42	MR0104128BAG		GB818.M6X25	Screw M6*25	2	10
43	MR0104138BAG		GB6170.M6	Hex Nut M6	2	10
44	MR2062705009A		F60-05.00.03.18	Ventilation connection pipe 2	1	1
45	MR2062705008A		F60-05.00.03.17	Ventilation connection pipe 1	1	1
46	MR01020109		15F-01.06.10	water Tube fitting B	1	1
47	MR2020705001ABAG		30F.05.02.00.14	Positioning pin 6 * 14	2	5
48	MR2062705007A		F60-05.00.03.15	Diversion rubber tube	1	1
49	MR2022705006A		F60-05.00.03.16	Oil drain bolt	1	1
50	MR01080224BAG		F15-05.00.00.09	Washer	1	10
51	MR2052705004A		F60-05.00.03.06	Cover plate gasket	1	1
52	MR2012705008A		F60-05.00.03.07	Cover	1	1
53	MR2012705010A		F60-05.00.03.13	Oil pan	1	1
54	MR01044130BAG		GB9074.1 M8*30(A2-70)	Flat gasket&bolts	7	5
55	MR2072705094A		F60-05.00.03.08	Oil filter assembly	1	1
56	MR2062701029ABAG		F60-05.00.03.10	Seal ring of oil filter assembly	1	5
57	MR2012705009A		F60-05.00.03.09	Oil filter bracket	1	1
58	MR01051937		60F-01.04.04.03	Oil seal, drave shaft	1	1
59	MR2052705005A		F60-05.00.03.14	Oil pan gasket	1	1
60	MR2052705003A		F60-05.00.03.05	Body base gasket	1	1
61	MR2012705007A		F60-05.00.03.01	Body base	1	1
62	MR0104432		GB9074_1.M8X80.10_9	Bolt&gasket Assy M8*80	8	1
63	MR010417109BAG		GB97_1.M8	Flat gasket	1	10
64	MR2022703001A		F60-04.00.01.04	Upper shock bolt	2	1
65	MR2082703001A		F60-04.00.01.03	panel	1	1
66	MR2012703098A		F60-04.00.01.02	Upper damping component	1	1
67	MR01041710901BAG		GB97_1.M10	Flat gasket	2	10
68	MR2022703010A		F60-04.00.01.10	Hexagonal nylon lock nut	2	1



22. Редуктор

NO.	КОД MR	КОД №2	КОД OEM	НАИМЕНОВАНИЕ	ШТ	УПАКОВКА
1	MR09282012606001A	MR2012606001A	F40-06.00.00.46	Underwater shell	1	1
2	MR01081128BAG		40F-06.01.05	Shim,forward gear	2	2
3	MR01051101			Roller Bearings	1	1
4	MR01051125		40F-06.01.04	Forward gear	1	1
5	MR2022606002A		F40-06.00.00.28	Shift plunger	1	1
6	MR01091116BAG		40F-06.05.04	Circlip	1	5
7	MR01051131		40F-06.05.02	Dog clutch	1	1
8	MR01021133		40F-06.05.03	Pin	1	1
9	MR01091117BAG		40F-06.05.06	Compression spring	1	5
10	MR2052606004A		F40-06.00.00.34	Propeller shaft	1	1
11	MR01041892BAG			Cotter pin	1	10
12	MR01021135		40F-06.05.07	gasket	1	1
13	MR01051129		40F-06.04.02	Reverse gear	1	1
14	MR01051104			deep groove ball bearing	1	1
15	MR01081132BAG		40F-06.04.03	Reverse gear shim	1	5
16	MR01051103			Needle bearing	1	1
17	MR01061140		40F-06.04.06	O ring	1	1
18	MR091001011137	MR07110017	40F-06.04.01	#H/Д	1	1
19	MR010417109BAG			Flat gasket	2	10
20	MR0104036BAG		GB9074.1 M8*25(A2-70)	Hex Head Bolt M8*25	3	5
21	MR01061139		40F-06.04.05	O ring	2	1
22	MR01051138		40F-06.04.04	Oil seal(22*36*7)	2	1
23	MR01021130		40F-06.02.03	propeller Pad	1	1
24	MR01061137		40F-06.03.00	propeller Internal splined	1	1

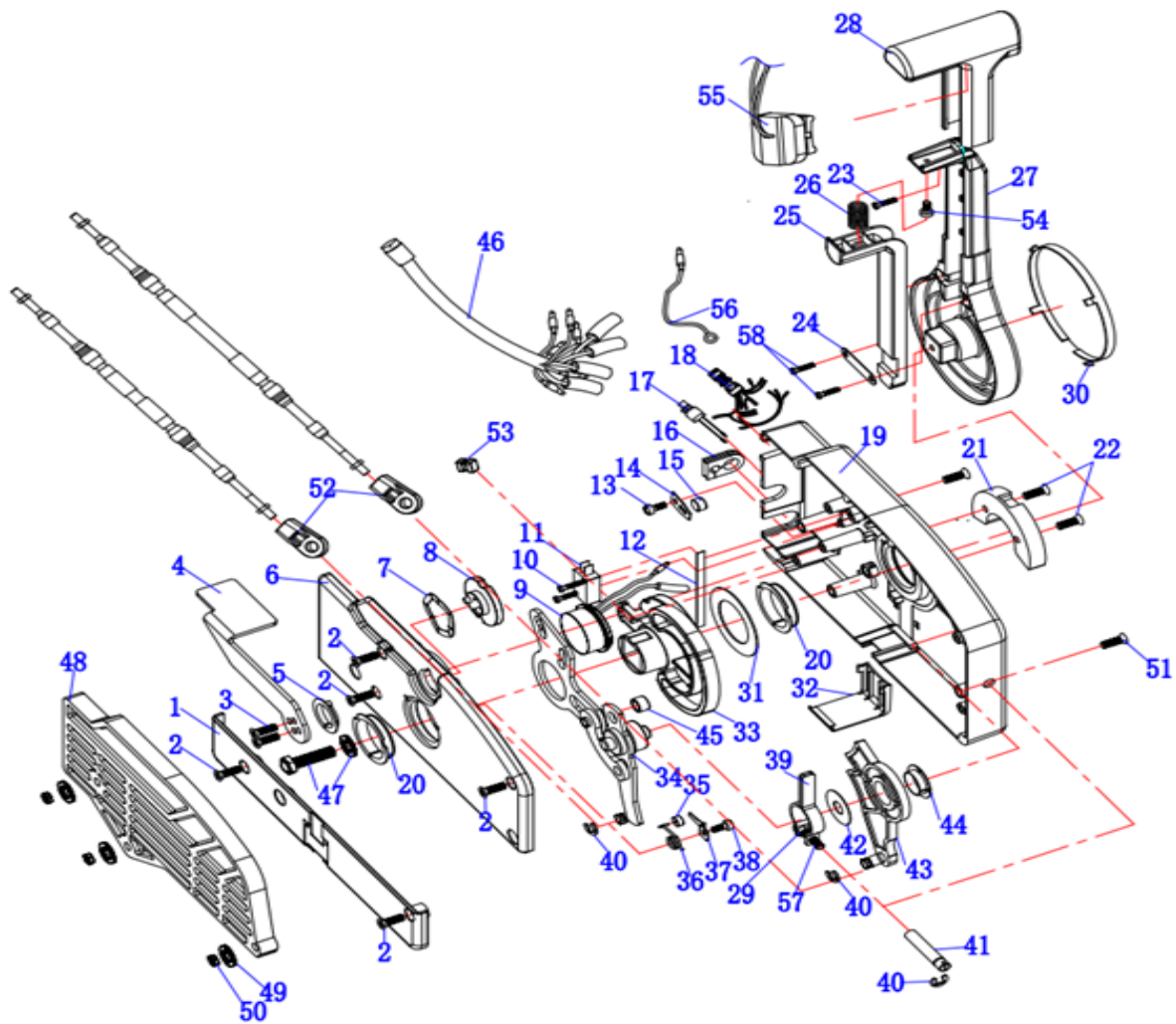
25	MR01011135		40F-06.02.01	Propeller	1	1
26	MR01081130		40F-06.02.04	Plate	1	1
27	MR01081131		40F-06.02.05	Press plate	1	1
28	MR01021131		40F-06.02.07	Nut	1	1
29	MR01011136		40F-06.02.02	Propeller mouth	1	1
30	MR01061134BAG		40F-06.01.09	sealing strip	1	2
31	MR01011134		40F-06.01.10	pressing plate,sealing strip	1	1
32	MR01041540BAG		GB93 M8	washer	3	10
33	MR01051128		40F-06.01.12	pinion gear	1	1
34	MR01051149			Needle bearing	1	1
35	MR01071132		40F-06.01.06	Nylon bushing	1	1
36	MR01081129BAG		40F-06.01.11.03	shim,pignion gear	2	5
37	MR01040431BAG		GB5783 M8*65(A2-70)	Bolt&flat gasket M8*65	1	10
38	MR01081133		40F-06.07.04	Large washer	1	1
39	MR01061143		40F-06.07.03	O ring,Oil seal casing	1	1
40	MR01051138		40F-06.04.04□	Oil seal(22*36*7)	2	1
41	MR091001011138	MR01011138	40F-06.07.01	Oil casing,water pump	1	1
42	MR2062606001ABAG		F40-06.00.00.02	Rubber bushing	1	2
43	MR011011200		40F-06.09.02	Woodruff key	1	1
44	MR2052606002A		F40-06.00.00.01	Drive shaft	1	1
45	MR2082606001A		F40-06.00.00.10	Pump pad	1	1
46	MR2052606005ABAG		F40-06.08.00.08	Seal	1	2
47	MR2062606004A			Water pump impeller assembly	1	1
48	MR2082606002A		F40-06.08.00.02	Water pump inner shell	1	1
49	MR01061145		40F-06.08.03	O ring,water pump	1	1
50	MR2072606004A		F40-06.00.00.06	Water pump housing	1	1
51	MR2072606005ABAG		F40-06.08.00.06	Sealing ring under water pipe	1	5
52	MR01020521BAG		F9.9-05.00.00.26	Locating Pin 4*10	2	10
53	MR0104037BAG		GB5783 M8*30(A2-70)	Bolt	4	2
54	MR010405102		GB5787 M10*40 (9.8) (S13	Hexagon flange half-thread bolt	4	1
55	MR01041541BAG			Spring washer	4	10
56	MR0104160BAG			Flat Pad 10	4	10
57	MR2022606001A		F40-06.00.00.17	Downshift link	1	1
58	MR01091915BAG		60F-06.00.00.18	circlip	1	10
59	MR2052606003A		F40-06.00.00.26	Gear shift cam seat	1	1
60	MR01051944		60F-06.00.00.25	Gear shift cam	1	1
61	MR0104181BAG		GB896 8	Circlip	1	10
62	MR01061141BAG		40F-06.06.05	O ring	1	2
63	MR2072606001ABAG		F40-06.00.00.14	Lower shift connecting rod seat	1	2
64	MR2062606002ABAG		GB/T3452.1 (F40)	O-ring of shift lever (8.75 * 2.65)	1	5
65	MR01061939BAG		60F-06.00.00.19	Lower Shift rod O-Ring 6.5*19	1	5
66	MR2062606003ABAG		F40-06.00.00.27	rubber band	1	2
67	MR01011132		40F-06.01.07	Trim tab	1	1
68	MR01020110BAG		15F-01.06.20	Locating Pin 2*6	2	10
69	MR01011133		40F-06.01.08	Anode	1	1
70	MR01044252		GB9074.1 M8*35(9.8)	Bolt & flat gasket assy M8*35	1	1
71	MR010411701BAG		GB820 M5*30	Screw	1	10
72	MR01071130BAG		40F-06.01.02	Water inlet cover	1	5
73	MR01071131BAG		40F-06.01.03	cover,water inlet	1	5
74	MR0104137BAG		GB6170 M5	Hexagon nut M5	1	10
75	MR01080139BAG		15F-06.01.04	Gasket	2	10
76	MR01020128BAG		15F-06.01.03	plug,straight screw	2	2



23. Румпель

NO.	КОД MR	КОД №2	КОД OEM	НАИМЕНОВАНИЕ	ШТ	УПАКОВКА
1	MR0104333		DIN985 M12*1.25	Hex nylon locking nut M12*1.25	1	1
2	MR0104161BAG		GB848 M12	Flat gasket 12	1	10
3	MR2072704003ABAG		F60-04.00.03.07	Plastic bushing	2	2
4	MR2012704002A		F60-04.00.03.06	Connection bracket	1	1
5	MR2082704002A		F60-04.00.03.10	Thin gasket	2	1
6	MR2022704001A		F60-04.00.03.08	Thick pad	1	1
7	MR0104173BAG		GB97_1.M12	Flat gasket 12	2	10
8	MR0104325BAG		GB5785 M12X1.25X80	Hexagon head bolts-fine teeth	1	10
9	MR2082704004A		F60-04.00.03.13	Harness cover bracket	1	1
10	MR01071503BAG		F9.9E-02.00.00.02	cablе fixed pin	2	5
11	MR2082704006A		F60-04.00.03.16	Shift cable support	1	1
12	MR2062704002A		F60-04.00.03.15	Rubber sleeve	2	1
13	MR2082704005A		F60-04.00.03.14	Throttle cable support	1	1
14	MR0104404BAG		GB9074_1 M6X16.8_8	Bolt	2	10
15	MR0104196BAG		GB879 3*20	Cylindrical pin	1	10
16	MR2052704003ABAG		F60-04.00.03.21	Throttle cable driving gear	1	2
17	MR2072704006A		F60-04.00.03.22	Gear limit bracket	1	1
18	MR2012704003A		F60-04.00.03.23	Shift limit block	1	1
19	MR2072704018A		F60-04.00.03.26	Throttle tension rod elastic bolt	1	1
20	MR010418709BAG		GB91 2*12	Cottor pin 2*12	2	10
21	MR01070153BAG		15F-04.07.12	Bushing	1	2
22	MR2092704001ABAG		F60-04.00.03.29	spring	1	2
23	MR0104408BAG		GB9074.1 M6*30(8.8)	Bolt	2	10
24	MR0104195BAG		GB879 3*14	Cylindrical pin	1	5
25	MR2072704007ABAG		F60-04.00.03.25	Throttle tension rod elastic block	1	2
26	MR2102704004A		F60-04.00.03.24	Throttle pull rod	1	1
27	MR2082704020ABAG		F60-04.00.03.28	Spring retaining ring	2	2
28	MR2082704007ABAG		F60-04.00.03.46	Retaining ring	2	2
29	MR2012704009A		F60-04.00.03.30	Throttle turning block	1	1

30	MR0104117BAG		GB820 M5X25	Screw M5*25	1	10
31	MR0104247BAG		GB819 M6X20	Screw M6*20	1	10
32	MR2072704016ABAG		F60-04.00.03.78	Plastic pressure plate	1	2
33	MR2062704011A		F60-04.00.03.33	Rubber handle	1	1
34	MR2072704010A		F60-04.00.03.32	Handle outer bushing	1	1
35	MR2072704009A		F60-04.00.03.31	Handle bush	1	1
36	MR2012704008A		F60-04.00.03.01	Steering handle	1	1
37	MR2072704012A		F60-04.00.03.42	Shift handle plastic cover	1	1
38	MR2012704004A		F60-04.00.03.41	Shift lever	1	1
39	MR01040120BAG		GB847-6.3*19	Screws type F	2	10
40	MR0104426		GB9074.1 M8*40(9.8)	Bolt and flat washer	1	1
41	MR2072704002ABAG		F60-04.00.03.05	Plastic cover plug	1	5
42	MR2072704001A		F60-04.00.03.04	Plastic cover	1	1
43	MR2032701079A		F60-04.00.03.72	Alarm indicator	1	1
44	MR2062704004A		F60-04.00.03.52	Oblique cushion	1	1
45	MR2062704003A		F60-04.00.03.51	Cushion	1	1
46	MR0104245BAG		GB845 ST6.3X16	Screws type F	1	10
47	MR01040831BAG		GB818 M6*16	Pan head bolt with cross recess	6	10
48	MR2022704097A		F60-04.00.03.60	Shift transmission group	1	1
49	MR01030802		HDYK00.03.00	Engine shut-off switch	1	1
50	MR2032701080A		F60-04.00.03.93	Start switch assembly	1	1
51	MR2032704006A		F60-04.00.03.76	buzzer	1	1
52	MR01040700BAG		GB818 M3X8	Screws	2	10
53	MR2062704001A		F60-04.00.03.03	Rubber block	1	1
54	MR01100109BAG		JB.T7940.1	Oil cup	1	2
55	MR2072704005ABAG		F60-04.00.03.18	Two snaps of cable rod	1	2
56	MR01031147		DQQ-00.09.07	Electric Trim Remote Switch	1	1
57	MR2032704008A		F60-04.00.03.59	Idle start switch assembly	1	1
58	MR0104071BAG		GB9074.1 M3X14	Pan Screw M3*14	2	10
59	MR2072704013ABAG		F60-04.00.03.44	bushing	2	2
60	MR0104138BAG		GB6170.M6	Hex Nut M6	1	10
61	MR2072704017A		F60-04.00.03.56	Speed adjustment switch housing	1	1
62	MR2022704002A		F60-04.00.03.45	Bushing	1	1
63	MR2072704020A		F60-04.00.03.79	Switch box for remote control box	1	1
64	MR2032701024A		F60-04.00.03.77	Ten core socket harness (1m)	1	1
65	MR01090107BAG		15F-01.03.11	Spring	2	10
66	MR2102704001A		F60-04.00.03.57	Throttle cable assembly	1	1
67	MR2102704002A		F60-04.00.03.58	Shift cable assembly	1	1
68	MR010418709BAG		GB91 2*12	Cottor pin 2*12	2	10
69	MR01070811BAG		HDYK00.00.24	Cable adjuster A	2	5
70	MR0104171BAG		GB97.1 M6	Flat gasket	6	10



24. Контроллер дистанционного управления

NO.	КОД MR	КОД №2	КОД OEM	НАИМЕНОВАНИЕ	ШТ	УПАКОВКА
1	MR090901010801	MR07080001	HDYK00.00.01	Small plate	1	1
2	MR0104111BAG		GB819 M5*16	Bolt	5	10
3	MR0104110BAG		GB819 M5*12	Screw M5*12	2	10
4	MR01080801		HDYK00.00.02	Lale lock handle	1	1
5	MR01070801BAG		HDYK00.00.04	Antifriction Bushing	1	2
6	MR090901010807	MR07080003	HDYK00.00.31	cap	1	1
7	MR01080802BAG		HDYK00.00.03	Wave Washer	1	2
8	MR01010802		HDYK00.01.00	Handle Lock wheel Assy	1	1
9	MR01030801		HDYK00.02.01	Buzzer assy	1	1
10	MR0104071BAG		GB818 M3*14	Pan Screw M3*14	1	10
11	MR01030804		HDYK00.05.00	Idle Start switch	1	1
12	MR01090802BAG		HDYK00.00.10	Spring steel plate	5	10
13	MR0104072BAG			Cross recessed Pan head screws M4*6	1	10
14	MR01080804BAG		HDYK00.00.09	Plate	1	2
15	MR01020802BAG		HDYK00.00.11	Shift limit pin	1	5
16	MR01060801BAG		HDYK00.00.12	Wire Harness Seal Ring	1	10
17	MR01030802		HDYK00.03.00	Engine shut-off switch	1	1
18	MR01030803		HDYK00.04.00	Start switch Assy	1	1
19	MR01010803		HDYK00.00.08	Remote control box	1	1
20	MR01070804BAG		HDYK00.00.16	Gear Shift Seat washer	2	5
21	MR01070806BAG		HDYK00.00.20	Handle Limit Assy	1	2
22	MR0104111BAG		GB819 M5*16	Pan head bolt with cross recess	2	10
23	MR0104226BAG		GB818 M4*10	Pan head bolt with cross recess	1	10
24	MR01080809BAG		HDYK00.09.05	handle Lock plate	1	2
25	MR01070809		HDYK00.09.04	Handle lock switch	1	1

26	MR01090803BAG		HDYK00.09.06	Spring	1	2
27	MR2012408001		HDYK00.09.11	Handle seat	1	1
28	MR2072408001		HDYK00.09.13	handle	1	1
29	MR0104137BAG		GB6170 M5	Hexagon nut M5	2	10
30	MR072408003		HDYK00.09.12	Handle seat decoration ring	1	1
31	MR01070803BAG		HDYK00.00.15	Gear Shift Seat washer	1	5
32	MR2072408002		HDYK00.00.36	Lid connector	1	1
33	MR01010804		HDYK00.00.14	Shift seat	1	1
34	MR01080816			Throttle controler Assy	1	1
35	MR01020821BAG		HDYK00.00.06	Guide wheel	1	2
36	MR01090801BAG		HDYK00.00.07	Spring	1	5
37	MR01080803BAG		HDYK00.00.05	Guide wheel plate	1	2
38	MR0104072BAG			Cross recessed Pan head screws M4*6	1	10
39	MR01020810		HDYK00.08.01	Locking Clamp	1	1
40	MR0104179BAG		GB896 6	Circlip	1	10
41	MR01020811BAG		HDYK00.08.02	Adjusting screw	1	5
42	MR01070805BAG		HDYK00.00.19	Shift control washer	1	5
43	MR01010805		HDYK00.00.17	Shift controler	1	1
44	MR01080808BAG		HDYK00.00.13	Shift control washer	1	2
45	MR01020808BAG		HDYK00.07.10	Guide wheel	1	2
46	MR01031610		DQQ-00.00.07.00-L	Ten-pin plug 5M	1	1
47	MR01044130BAG		GB9074.1 M8*30(8.8)	Flat gasket&bolts	1	5
48	MR01070814		HDYK00.00.32	Remote control fixation plate	1	1
49	MR0104175BAG		GB5287 M6	Flat gasket 6	3	10
50	MR0104138BAG		GB6170 M6	Hex Nut M6	3	10
51	MR0104119BAG		GB820 M6*90	Screw M6*90	3	5
52	MR01070812BAG		HDYK00.00.25	Cable adjustor B	2	2
53	MR01060803BAG		HDYK00.00.27	Wire harness sealing Seat	1	10
54	MR01040760BAG		GB818 M5*10	screws(M5*10)	1	10
55	MR2032702005		F60-02.00.03.04	Electric Trim Remote Switch	1	1
56	MR01030824BAG		HDYK00.05.01	Electric Start Idle Wire	1	2
57	MR0104005BAG		GB5783 M5*25	Bolt	2	10
58	MR0104110BAG		GB819 M5*12	Screw	2	10

26. Аксессуары

Мотор с дистанционным управлением

NO.	КОД MR	КОД №2	КОД OEM	НАИМЕНОВАНИЕ	УПАКОВКА
1	MR01020128BAG		15F-06.01.03	plug, straight screw	2
2	MR01030312		DPR6EB-9(F25)	Spark Plug	1
3	MR0104167BAG		GB96 M12	Gasket	5
4	MR0104171BAG		GB97.1 M6	Flat gasket	10
5	MR0104173BAG		GB97.1 M12	Flat gasket 12	10
6	MR010418709BAG		GB91 2*12	Cottor pin 2*12	10
7	MR01041892BAG		GB91 3.2*25	Cotter pin	10
8	MR0104368		M12*1.25*110(9.8)	Hexagon head bolt (thread 60mm)	1
9	MR01061901			Water pump impeller assy	1
10	MR01070166		15F-08.00.00	fuel case Assy.	1
11	MR01080139BAG		15F-06.01.04	Gasket	10
12	MR01080638BAG		GB6170(10) M12*1.25	Flying wheel nut	2
13	MR01100108		15F-08.01.06.00	Fuel pipe check valve assembly	1
14	MR01100218		F15-09.00	toolkit	1
16	MR01020813BAG		HDYK00.10.04	hex bolt	5
17	MR01020815BAG		HDYK00.10.05	hex thin bolt	2
18	MR01020820BAG		HDYK00.10.07	Nylon lock nut	2
19	MR01021949BAG		60FE-03.00.00.26	bushing, lever hook	2
20	MR01031826		F25EI-01.02.11.00	Four-pin control relay	1
21	MR01031827		F25EI-01.02.12.00	Five-pin control relay	1
22	MR0104119BAG		GB820 M6*90	Screw M6*90	5
23	MR0104138BAG		GB6170 M6	Hex Nut M6	10
24	MR01041710901BAG		GB97.1 M10	Flat gasket	10
25	MR0104175BAG		GB5287 M6	Flat gasket 6	10
26	MR01070811BAG		HDYK00.00.24	Cable adjuster A	5
27	MR01070812BAG		HDYK00.00.25	Cable adjustor B	2
28	MR01070814		HDYK00.00.32	Remote control fixation plate	1
29	MR01091919		60FE-03.00.00.25	lever	1
30	MR0110080105			Cable Comp., remote control (8M)	1
31	MR2032701069A		HA100	Marine instrument	1
32	MR2032703095A		F60-01.09.00.08	Instrument extension cable (6 meters)	1
33	MR2102701067ABAG		7.5A	Fuse (for EFI) (brown)	5
34	MR2102701068ABAG		10A	Fuse (for EFI) (red)	5
35	MR2102701069ABAG		15A	Fuse (for EFI) (blue)	5
36	MR2102701071A			Fuse (for EFI) (green)	1
37	MR2102708001		F60-01.07.01.11	Oil-water separator assembly	1
38	MR2032701095		F60-01.09.00.10	Altimeter patch cord	1
39	MR2032701096		F60-01.09.00.11	Warping altimeter	1
40	MR031003	MR08110002	HDYK00.00.00.00 (40FFE-T)	Remote control box assembly	1

Румпельный мотор

NO.	КОД MR	КОД №2	КОД OEM	НАИМЕНОВАНИЕ	УПАКОВКА
1	MR01020128BAG		15F-06.01.03	plug, straight screw	2
2	MR01030312		DPR6EB-9(F25)	Spark Plug	1
3	MR01041541BAG		GB93 M10	Spring washer	10
4	MR0104167BAG		GB96 M12	Gasket	5
5	MR0104171BAG		GB97.1 M6	Flat gasket	10
6	MR01041710901BAG		GB97.1 M10	Flat gasket	10
7	MR0104173BAG		GB97.1 M12	Flat gasket 12	10
8	MR010418709BAG		GB91 2*12	Cottor pin 2*12	10
9	MR01041892BAG		GB91 3.2*25	Cotter pin	10
10	MR0104368		M12*1.25*110(9.8)	Hexagon head bolt (thread 60mm)	1
11	MR01061901			Water pump impeller assy	1
12	MR01070166		15F-08.00.00	fuel case Assy.	1
13	MR01080139BAG		15F-06.01.04	Gasket	10
14	MR01080638BAG		GB6170(10) M12*1.25	Flying wheel nut	2
15	MR01100108		15F-08.01.06.00	Fuel pipe check valve assembly	1
16	MR01100218		F15-09.00	toolkit	1
18	MR01031826		F25EI-01.02.11.00	Four-pin control relay	1
19	MR01031827		F25EI-01.02.12.00	Five-pin control relay	1
20	MR2022703010A		F60-04.00.01.10	Hexagonal nylon lock nut	1
21	MR2102701067ABAG		7.5A	Fuse (for EFI) (brown)	5
22	MR2102701068ABAG		10A	Fuse (for EFI) (red)	5
23	MR2102701069ABAG		15A	Fuse (for EFI) (blue)	5
24	MR2102701071A			Fuse (for EFI) (green)	1
25	MR2102708001		F60-01.07.01.11	Oil-water separator assembly	1
26	MR030821	MR08100018	F60-04.00.03.00	Steering handle parts	1